

XENOPHOBE VIDEO GAME 3 PLAYER UPRIGHT

OPTION 2: ALTERNATE POWER SUPPLY & POWER CHASSIS

Information Supplement

Bally
MIDWAY

10601 W. Belmont Avenue
Franklin Park, Illinois 60131
U.S.A.

Phone: (312) 451-9200 Fax No.: 312-451-4150
Cable Address: MIDCO Telex No.: 72-1596

WARNING

THIS GAME MUST BE GROUNDED. FAILURE TO DO SO MAY RESULT IN DESTRUCTION TO ELECTRONIC COMPONENTS.

WARNING: This equipment generates, uses and can radiate radio frequency energy and if not installed and used in accordance with the instruction manual, may cause interference to radio communications. It has been tested and found to comply with the limits for a CLASS A computing device pursuant to SUBPART J of PART 15 of FCC RULES, which are designed to provide reasonable protection against such interference when operated in a commercial environment. Operation of this equipment in a residential area is likely to cause interference in which case the user at his own expense will be required to take whatever measures may be required to correct the interference.

ELECTRICAL BULLETIN: FOR ALL APPARATUS COVERED BY THE CANADIAN STANDARDS ASSOCIATION (CSA) STANDARD C22.2 NO. 1, WHICH EMPLOYS A SUPPLY CORD TERMINATED WITH A POLARIZED 2-PRONG ATTACHMENT PLUG.

CAUTION: TO PREVENT ELECTRIC SHOCK DO NOT USE THIS (POLARIZED) PLUG WITH AN EXTENSION CORD, RECEPTACLE OR OTHER OUTLET UNLESS THE BLADES CAN BE FULLY INSERTED TO PREVENT BLADE EXPOSURE.

ATTENTION: POUR PREVENIR CHOCS ELECTRIQUES NE PAS UTILISER CETTE FICHE POLARISEE AVEC UN PROLONGATEUR. UNE PRISE DE COURANT OU UNE AUTRE SORTIE DE COURANT, SAUF SI LES LAMES PEUVENT ETRE INSEREES A FOND SANS EN LAISSER AUCUNE PARTIE A DECOUVERT.

**USE ONLY GENUINE BALLY MIDWAY
APPROVED REPLACEMENT PARTS.**

©COPYRIGHT MCMLXXXVII BY BALLY MIDWAY MFG. CO. ALL RIGHTS RESERVED.

NO PART OF THIS PUBLICATION MAY BE REPRODUCED BY ANY MECHANICAL, PHOTOGRAPHIC, OR ELECTRONIC PROCESS, OR IN THE FORM OF A PHONOGRAPHIC RECORDING, NOR MAY IT BE TRANSMITTED, OR OTHERWISE COPIED FOR PUBLIC OR PRIVATE USE, WITHOUT PERMISSION FROM THE PUBLISHER. THIS MANUAL IS FOR SERVICE USE ONLY, AND NOT FOR GENERAL DISTRIBUTION. FOR PERMISSION REQUESTS, WRITE: BALLY MIDWAY MFG. CO., 10601 W. BELMONT AVE., FRANKLIN PARK, IL 60131.

Printed in U.S.A.

TABLE OF CONTENTS

DESCRIPTION	PAGE
Introduction.....	1
Lower Rear Cabinet (Close-Up View of Upper Portion) - Illustration.....	2
Lower Rear Cabinet (Close-Up View of Lower Portion) - Illustration.....	3
Lower Rear Cabinet Close-Up View - Parts List.....	4
Power Chassis Assembly - Illustration.....	5
Power Chassis Assembly - Parts List.....	6
Linear Power Supply & Power Chassis Assembly (With Adaptor Cables) Wiring Diagram.....	7
Linear Power Supply - Component Layout	8
Linear Power Supply - Parts List.....	9
Linear Power Supply - Schematic.....	10

INTRODUCTION

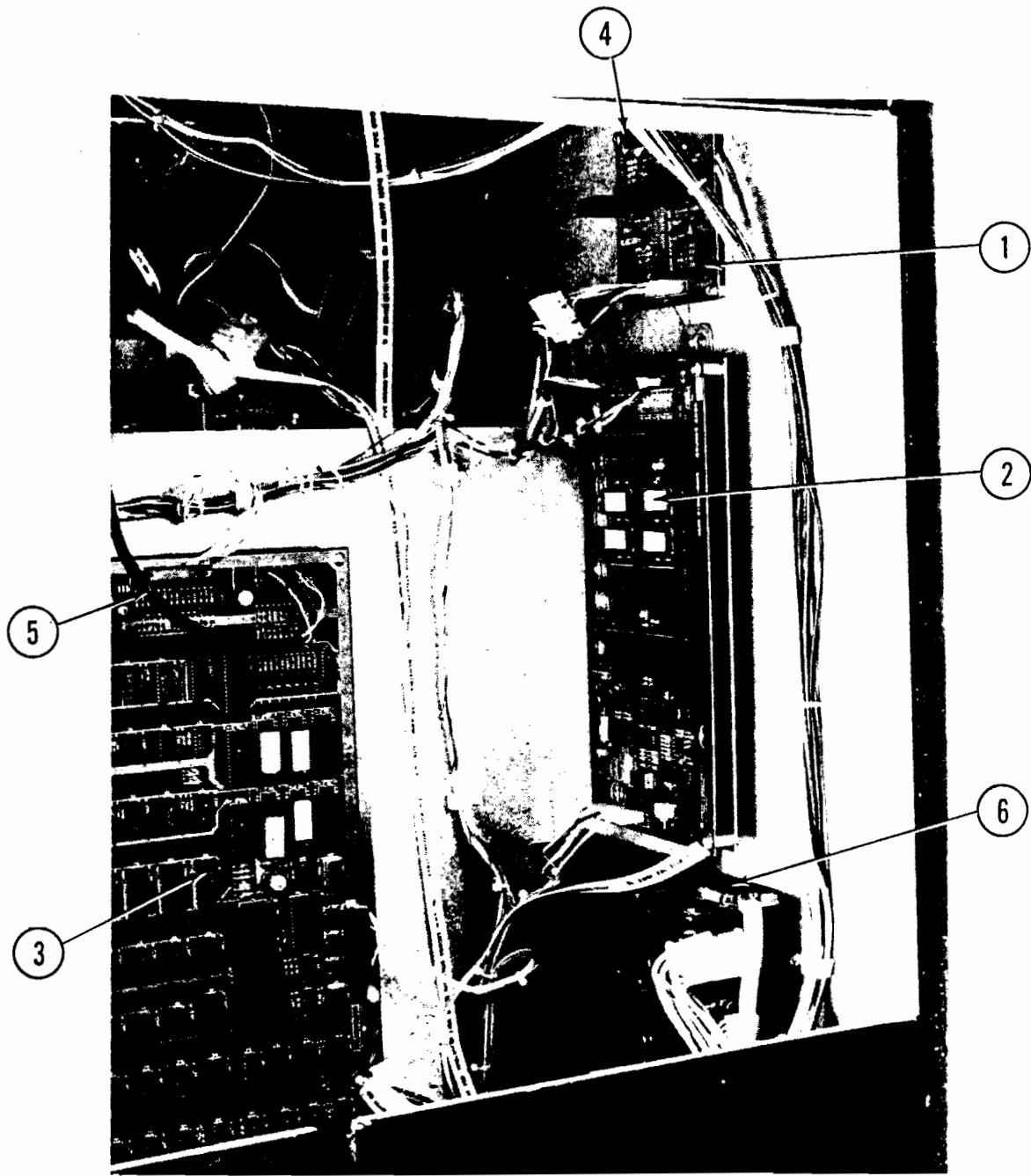
Your XENOPHOBE video game is equipped with an alternate LINEAR POWER SUPPLY p.c. board and an alternate POWER CHASSIS assembly. Additional adaptor cables are used to make the necessary cabling connections to the rest of the game.

Please disregard pages 2-10, 2-11, 2-16 & 2-17 of SECTION 2 - ILLUSTRATED PARTS BREAKDOWN SECTION in your XENOPHOBE video game parts & operating manual (OE85-00300-0000). Refer instead to pages 2 through 6 in this information supplement.

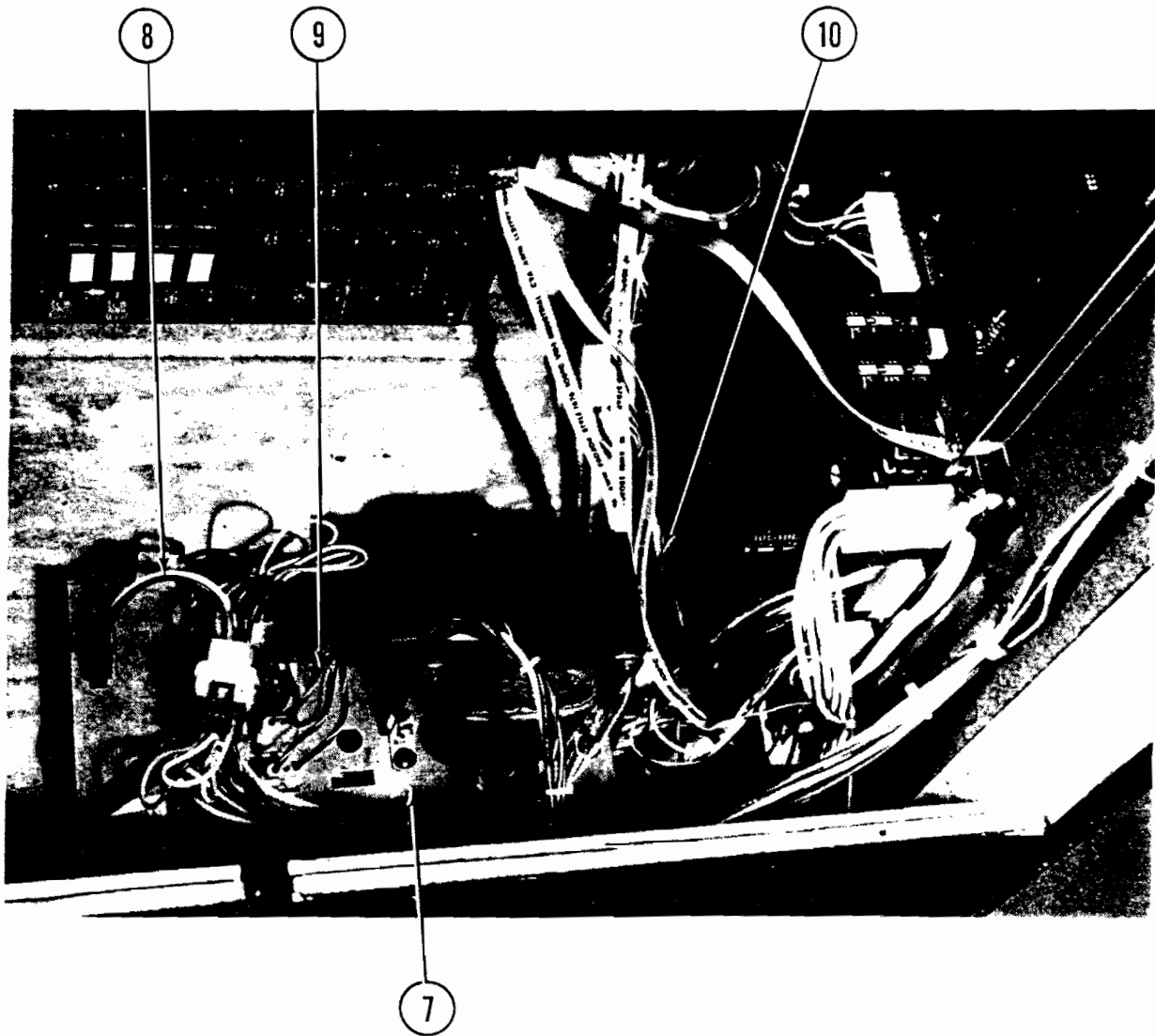
The information shown in the LINEAR POWER SUPPLY & POWER CHASSIS ASSEMBLY (WITH ADAPTOR CABLES) Wiring Diagram (M051-00945-A093), located on page 7 of this information supplement, replaces the corresponding information shown on page 3-2 of SECTION 3 - COMPONENTS LAYOUTS, SCHEMATICS & WIRING DIAGRAM in your XENOPHOBE video game parts & operating manual (OE85-00300-0000).

Please disregard page 3-21 of SECTION 3 - COMPONENT LAYOUTS, SCHEMATICS & WIRING DIAGRAM in your XENOPHOBE video game parts & operating manual (OE85-00300-0000). Refer instead to pages 8 through 10 in this information supplement.

LOWER REAR CABINET (CLOSE-UP VIEW OF UPPER PORTION)



LOWER REAR CABINET (CLOSE-UP VIEW OF LOWER PORTION)

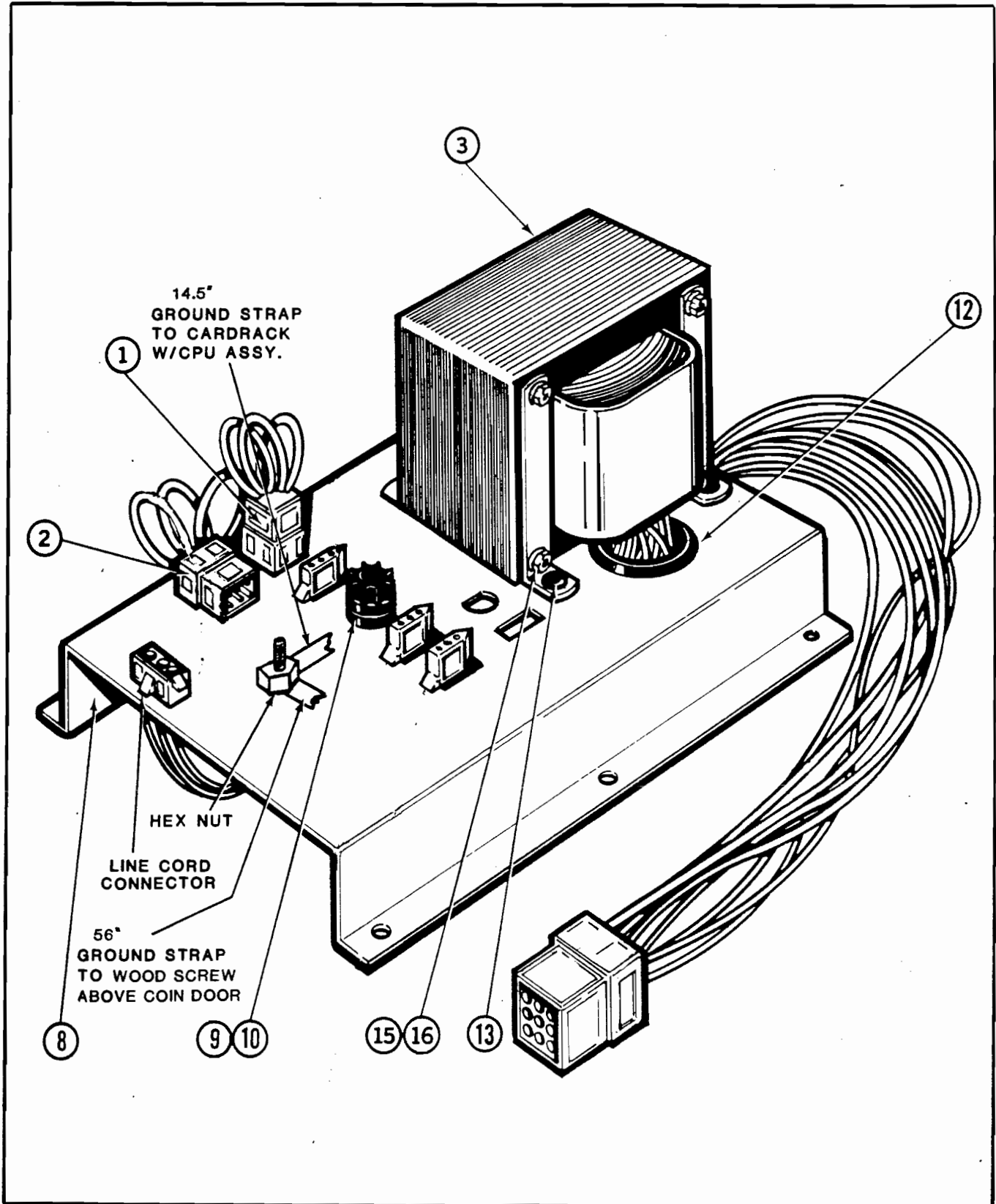


LOWER REAR CABINET CLOSE-UP VIEW

ORDER BY PART NUMBER ONLY

ITEM	PART NO.	DESCRIPTION
1	AA11-00017-0000 0017-00042-0320	DUAL POWER W/SPACERS (INCLUDES THE FOLLOWING ITEM) SPACER: #8 x 1/4" (4 REQ'D.)
2	A084-91863-AE85	PROGRAMMED SOUNDS GOOD P.C. BOARD ASSEMBLY
3	A084-91871-AE85	PROGRAMMED 68000 VIDEO P. C. BOARD ASSEMBLY
4	AE85-00017-0000	SPEAKER/AUDIO CABLE ASSEMBLY
5	AE85-00018-0000	MONITOR/VIDEO CABLE ASSEMBLY
	AE85-00036-0000	LINEAR POWER SUPPLY ASSEMBLY (INCLUDES ITEMS 6 THRU 10)
6	AE13-00011-0000 0E17-00106-0000 0639-00711-0200 B006-08009-100B	POWER SUPPLY, PLATE, & SPACER ASSEMBLY POWER SUPPLY MOUNTING PLATE SPACER: 6-32 x .640" (5 REQ'D.) LINEAR POWER SUPPLY P.C. BOARD ASSEMBLY
7	AE23-00008-0000	POWER CHASSIS ASSEMBLY
8	AE85-00032-0000	ADAPTOR CABLE ASSEMBLY "A"
9	AE85-00033-0000	ADAPTOR CABLE ASSEMBLY "B"
10	AE85-00035-0000	ADAPTOR CABLE ASSEMBLY "D"

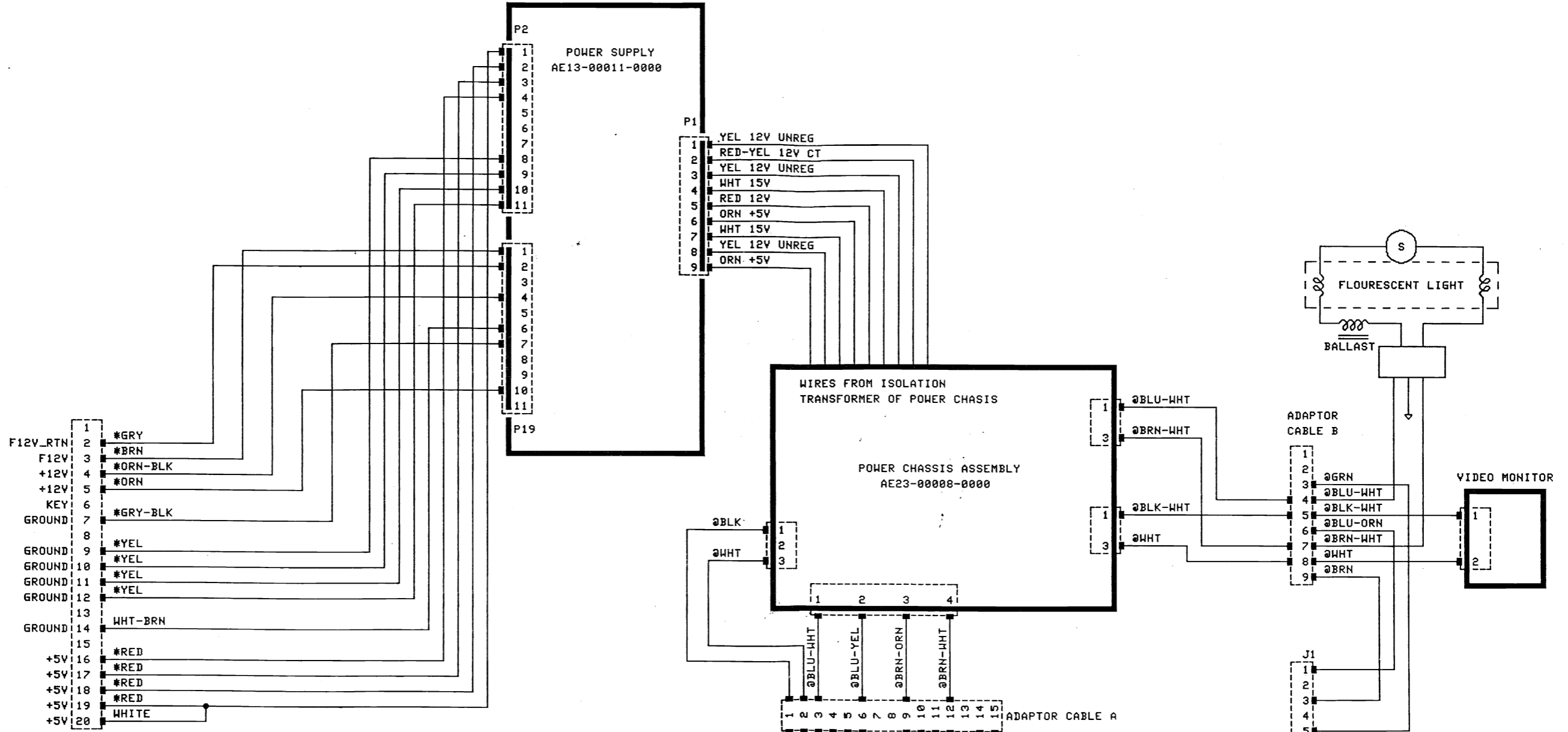
POWER CHASSIS ASSEMBLY
PART NO. AE23-00008-0000



**POWER CHASSIS ASSEMBLY
PART NO. AE23-00008-0000**

ORDER BY PART NUMBER ONLY

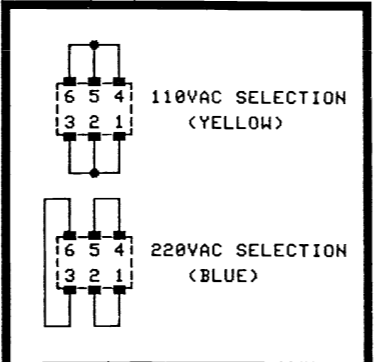
ITEM	PART NO.	DESCRIPTION
1	AB18-00024-0100	JUMPER PLUG ASSY.: 110VAC (YELLOW)
2	AB18-00024-0200	JUMPER PLUG ASSY.: 220VAC (BLUE)
3	AB18-00034-0000	POWER TRANSFORMER ASSY.: W/PINS
4	AC47-00016-0000	LINE FILTER ASSY.: W/PINS (NOT SHOWN)
	0017-00003-0443	LINE FILTER: 3-AMP 115V
5	AC52-00022-0000	CHASSIS JUMPER CABLE ASSY. (NOT SHOWN)
6	AE19-00005-0000	A.C. SENSE CABLE ASSY. (NOT SHOWN)
7	AE19-00005-0100	A.C. SENSE CABLE SUB-ASSY. (NOT SHOWN)
8	OC52-00101-0000	PLATE: POWER CHASSIS
9	0017-00003-0263	FUSE MDA 3AG, 4 AMP, 250V, SLOW-BLOW
10	0017-00003-0433	FUSE HOLDER: W/CAP
11	0017-00042-0685	SNAP-BUSHING: 15/16" (NOT SHOWN)
12	0017-00042-0686	SNAP-BUSHING: 1-15/16"
13	0017-00101-0477	10-24 X 10/16" ROUND HEAD, SQUARE NECK BOLT (4 REQ'D.)
14	0017-00101-0555	6-32 X 5/16" SLOTTED, HEX W/WASHER SCREW (2 REQ'D.) (NOT SHOWN)
15	0017-00103-0017	NUT: #10-24 HEX (4 REQ'D.)
16	0017-00104-0125	WASHER: .200" I.D., .562" O.D. & .032" TH. DISH (4 REQ'D.)
17	0017-00021-0370	DUAL FASTENER TERMINAL (5 PAIRS OF TERMINALS) (NOT SHOWN)
18	0017-00101-0398	#6 x 3/8" PHILLIPS ROUND HEAD SCREW (NOT SHOWN)



- 1 F12V_RTN #GRY
- 2 F12V #BRN
- 3 +12V #ORN-BLK
- 4 +12V #ORN
- 5 KEY #GRY-BLK
- 6 GROUND
- 7 #YEL
- 8 GROUND #YEL
- 9 GROUND #YEL
- 10 GROUND #YEL
- 11 GROUND
- 12 #YEL
- 13 GROUND
- 14 WHT-BRN
- 15 GROUND
- 16 +5V #RED
- 17 +5V #RED
- 18 +5V #RED
- 19 +5V #RED
- 20 +5V WHITE

ADAPTOR CABLE D
MATES TO GAME MASTER CABLE
THROUGH 20-PIN HEADER AND CONNECTOR

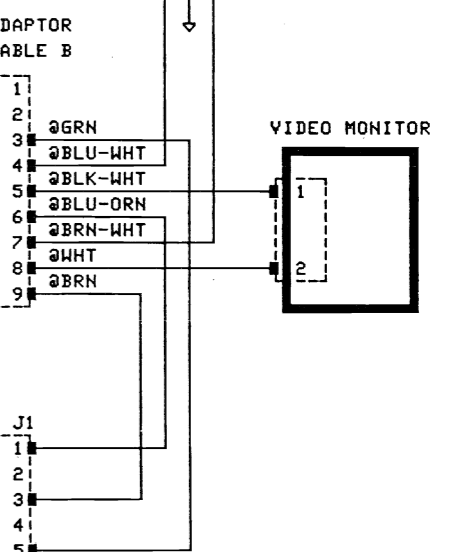
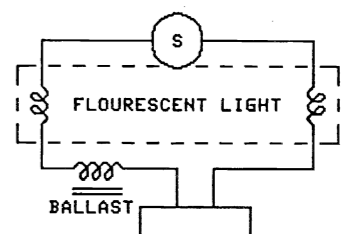
USED ON POWER CHASSIS ASSY
VOLTAGE SELECTOR 6-POS M-N-L



NOTE:
* = 18 AWG 300V
@ = 18 AWG 600V

THIS INFORMATION REPLACES THE
CORRESPONDING DATA SHOWN ON
PAGE 3-2 IN THE ZENOPHOBE PARTS
& OPERATING MANUAL (0E85-00300-0000)
WHEN THIS POWER SUPPLY AND CHASSIS
ARE PROVIDED.

THIS CONNECTOR
IS NOT USED

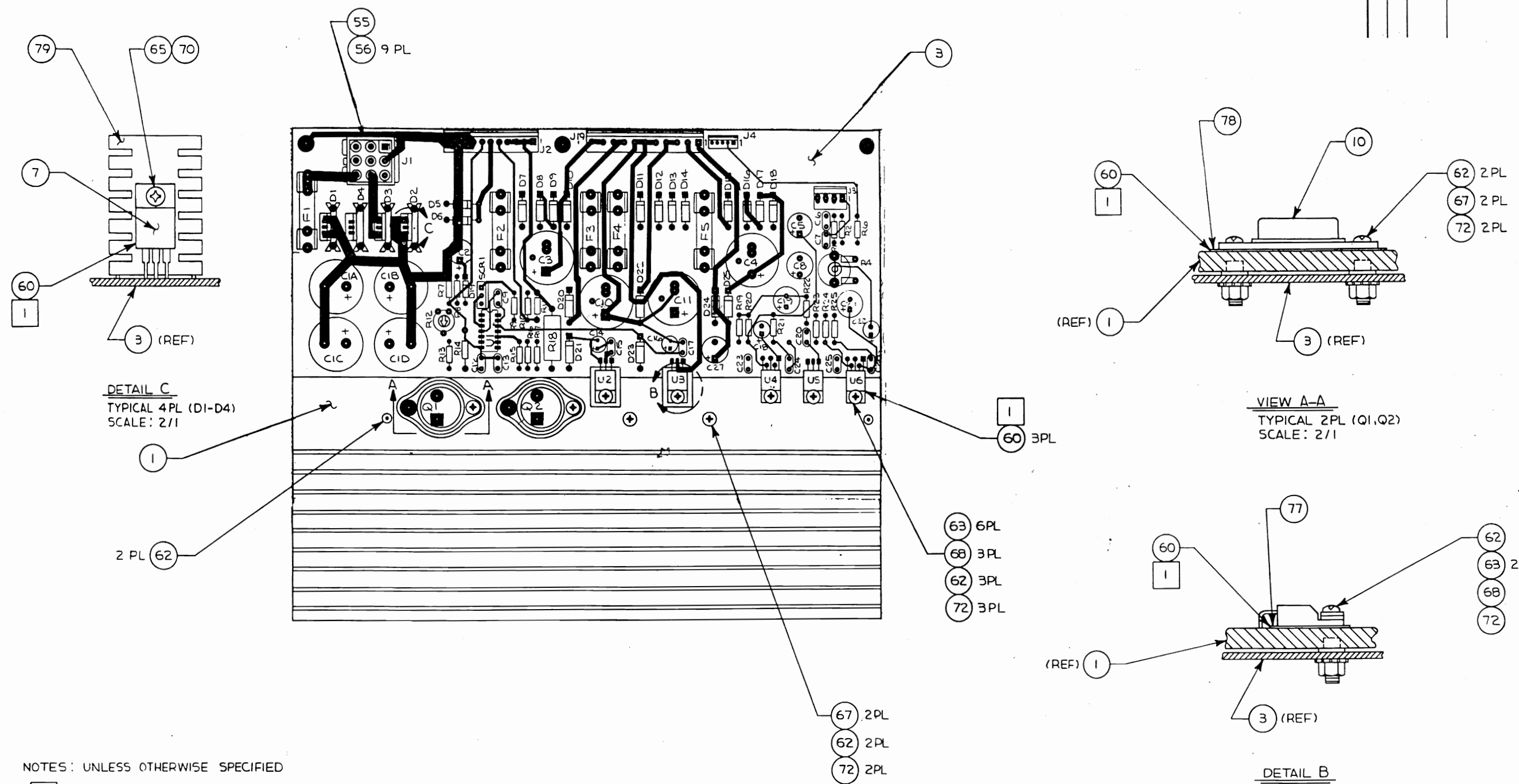


RELEASED FOR PRODUCTION 9/24/87 D.S.

NOTES:	
D. STERN 9/24/87	BALLY MIDWAY MFG. CO. LINEAR POWER SUPPLY, POWER CHASSIS ASSEMBLY ADAPTOR WIRING DIAGRAM M051-00945-A093
SHEET 1 OF 1 REV	

24 SEP 87 10:00 /USER/IANXENO SEN:DRAN

SYM	REV	ECO NO.	REVISIONS DESCRIPTION	DATE	APPROVED
	B	1998	RELEASED REDESIGNED PCB	1/20/86	WES



DETAIL C
TYPICAL 4 PL (D1-D4)
SCALE: 2/1

VIEW A-A
TYPICAL 2 PL (Q1, Q2)
SCALE: 2/1

DETAIL B
TYPICAL 2 PL (U2, U3)
SCALE: 2/1

NOTES: UNLESS OTHERWISE SPECIFIED

- 1 APPLY HEATSINK COMPOUND (ITEM 60) ON BOTH SIDES OF INSULATOR (ITEM 78) AT Q1 AND Q2, AND ON BOTH SIDES OF INSULATOR (ITEM 77) AT U2 AND U3. APPLY BETWEEN HEATSINK AND COMPONENT AT U4, U5, U6, D1, D2, D3 AND D4.

RELEASED BY: WES 3/3/86 MO51-00C52-B017

ITEM	DESCRIPTION/MATERIAL	QTY
10	000-8011-10	
DASH NO.	NEXT ASSY NO.	
USED ON		
MATERIAL	SEE L/M	
FINISH		

UNLESS OTHERWISE SPECIFIED DIMENSIONS ARE IN INCHES TOLERANCES ON:		DO NOT SCALE DRAWING	
ANGLES = 1°	X = ±.1	DRAWN BY	DATE
	XX = ±.03	L. PERCIVAL	9/13/84
	XXX = ±.010	CHECKED	
SURFACE FINISH		L. FORTE	9/19/84
		ENGINEER	
		MFG ENGINEER	
		PROJECT ENGINEER	

1289 Armitwood Ave. Sunnyvale, CA 94089	
TITLE	PCB ASSY, LINEAR POWER SUPPLY
SIZE	D
DRAWING NO.	006-8009-10-0B
REV	B
SCALE	1/1 & NOTED
SHEET	1 of 3

VENDOR NOTE TO AVOID PART REJECTION ALL PARTS MUST BE MARKED WITH PART NUMBER EXCEPT WHERE SIZE OR QUANTITY IS MARKED BAG AND TAG IF UNCERTAIN CONTACT BUYER PRIOR TO SHIPMENT

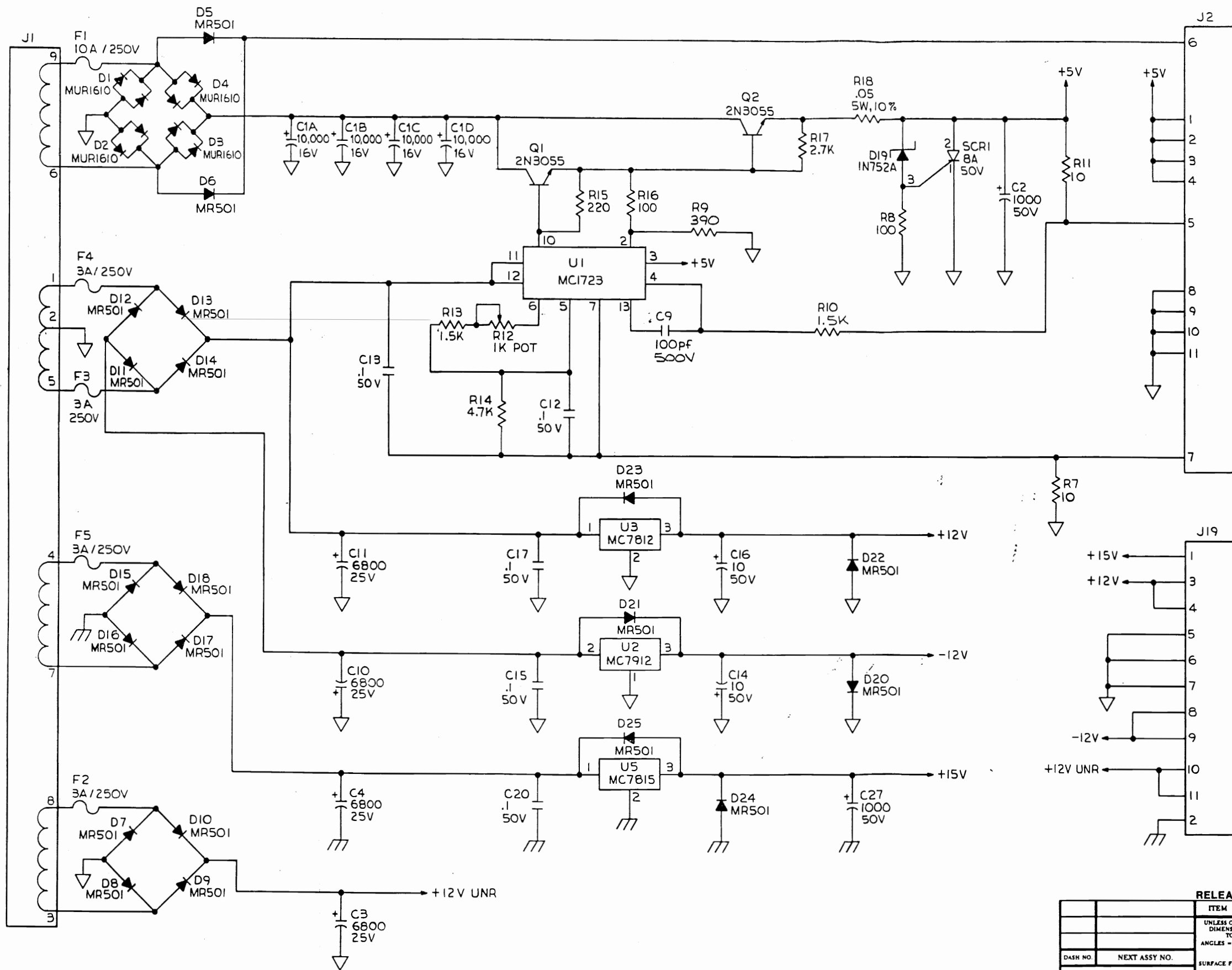
NOTICE TO ALL PERSONS RECEIVING THIS DRAWING: UNLESS OTHERWISE SPECIFIED DIMENSIONS ARE IN INCHES TOLERANCES ON: ANGLES = 1° X = ±.1 XX = ±.03 XXX = ±.010 SURFACE FINISH: SEE L/M FINISH: UNLESS OTHERWISE SPECIFIED DIMENSIONS ARE IN INCHES TOLERANCES ON: ANGLES = 1° X = ±.1 XX = ±.03 XXX = ±.010

PCB ASSEMBLY, LINEAR POWER SUPPLY
(006-8009-10-0B) (M051-00C52-B017)
PARTS LIST - SHEET 2 of 3

ITEM	QTY.	PART NO.	REFERENCE	DESCRIPTION
1	1	001-8076-01-0B		HEATSINK,E-368/#5555
2				
3	1	007-8009-10-0B		PCB FAB, LINEAR PWR SPLY
4				
5	20	100-0008-01	D5-D18,D20-D25	D10,SI,3A,100 PIV,MR501
6				
7	4	105-0004-01	D1-D4	D10,RECTIFIER,16A, MUR1610 CT
8	1	110-0004-01	D19	D10,ZEN,5.6V,20MA,1N752A
9				
10	2	120-0004-01	Q1,Q2	XSTR,SI,NPN,2N3055
11				
12	1	160-0004-01	SCR1	SCR,8A,50V,C122F1
13				
14	2	260-0039-01	U4,U6	IC,LIN,SP,TDA2002,AUD AMP
15	1	260-0042-01	U2	IC,LIN,VR,MC7912,-12V, 3 POS
16	1	260-0043-01	U3	IC,LIN,VR,MC7812,+12V, 3 POS
17	1	260-0044-01	U5	IC,LIN,VR,MC7815,+15V, 3 POS
18	1	260-0045-01	U1	IC,LIN,VR,MC1723,SI,MONO
19				
20	9	300-0002-01	C6,C7,C12,C13,C15,C17, C20,C23,C25	CAP,CER,RAD,.1MF,50V
21	2	300-0001-01	C24,C26	CAP,CER,RAD,.022UF,50V, 20%
22	1	320-0007-01	C9	CAP,MIC,RAD,100PF,500V, 5%
23				
24	4	340-0026-01	C14,C16,C18,C22	CAP,ELC,RAD,10MF,50V,20%
25	2	340-0027-01	C19,C21	CAP,ELC,RAD,470MF,16V, -10%,+50%
26	4	340-0028-01	C1A,C1B,C1C,C1D	CAP,ELC,RAD,10.000MF,16V +10%,-30%
27	4	340-0029-01	C3,C4,C10,C11	CAP,ELC,RAD,6800MF,25V, -10%,+30%
28	4	340-0030-01	C2,C5,C8,C27	CAP,ELC,RAD,1000MF,50V, 20%
29				
30	2	400-1000-01	R8,R16	RES,CF,1/4W,5%,100 OHM
31	2	400-1008-01	R1,R2	RES,CF,1/4W,5%,1 OHM
32				
33	2	400-1007-01	R7,R11	RES,CF,1/4W,5%,10 OHM
34				
35	1	400-1501-01	R13,R10	RES,CF,1/4W,5%,1.5K OHM
36				
37	1	400-2200-01	R15	RES,CF,1/4W,5%,220 OHM

PCB ASSEMBLY, LINEAR POWER SUPPLY
(006-8009-10-0B) (M051-00C52-B017)
PARTS LIST - SHEET 3 of 3

ITEM	QTY.	PART NO.	REFERENCE	DESCRIPTION
38	2	400-2208-01	R19,R23	RES,CF,1/4W,5%,2.2 OHM
39				
40	1	400-2701-01	R17	RES,CF,1/4W,5%,2.7K OHM
41	1	400-3900-01	R9	RES,CF,1/4W,5%,390 OHM
42	1	400-4701-01	R14	RES,CF,1/4W,5%,4.7K OHM
43	2	400-4707-01	R21,R25	RES,CF,1/4W,5%,47 OHM
44	1	480-0007-01	R12	RES,VAR,STR,TRIM,1K OHM
45	1	480-0008-01	R4	RES,VAR,STR,TRIM,100 OHM
46	3	410-2200-01	R20,22,24	RES,CF,1/2W,5%,220 OHM
47	1	440-0508-01	R18	RES,WW,5W,10%,.05 OHM
48	1			
49				
50	1	550-0067-01	J3	CONN,PC,4P,M,09-74-1041
51	1	550-0068-01	J4	CONN,PC,5P,M,22-23-2051
52				
53	1	550-0102-01	J2	CONN,PC,11P,M,09-74-1111
54	1	550-0103-01	J19	CONN,PC,11P,M,10-19-1111
55	1	550-0110-01	J1	CONN,PC,9P,PLG,19-09-2099
56	9	550-0111-01	J1	CONN,PIN,M,PC,02-09-8113
57				
58	10	580-0070-01	F1-F5	FUSE,CLIP,PC,1/4"
59				
60	A/R	790-0007-01		THERMAL JOINT COMPOUND
61				
62	13	800-0240-01		BUSHING,INSULATED,NYLON
63	10	800-0241-01	U2-U6	WSHR,RECTANGULAR,METAL,#6
64				
65	4	801-0440-04-01	D1-D4	SCREW,PH,PH,4-40 X 1/4"
66				
67	6	801-0632-08-01	Q1,Q2	SCREW,PH,PH,6-32 X 1/2"
68	5	801-0632-10-01	U2-U6	SCREW,PH,PH,6-32 X 5/8"
69				
70	4	812-0440-00-01	D1-D4	NUT,HEX,4-40
71				
72	11	813-0632-00-01		NUT,HEX,KEP,6-32
73				
74	4	830-0019-01	F2-F5	FUSE,3AG,3A,250V,FAST ACTING
75	1	830-0020-01	F1	FUSE,3AB,10A,250V,SLO-BLO
76				
77	2	850-0009-01	U2,U3	INSULATOR,MICA,TO-220
78	2	850-0010-01	Q1,Q2	INSULATOR,MICA,TO-3
79	4	850-0011-01	D1-D4	HEATSINK,PC MOUNT,VERT, TO-220
80	1	400-1201-01	R6*(REV B1)	RES,CF,1/4W,5%,1.2K OHM



A	1984	PRODUCTION RELEASE		
B	1998	RELEASED REDESIGNED PCB		
B1	2001	changed RG	9/1/01	45

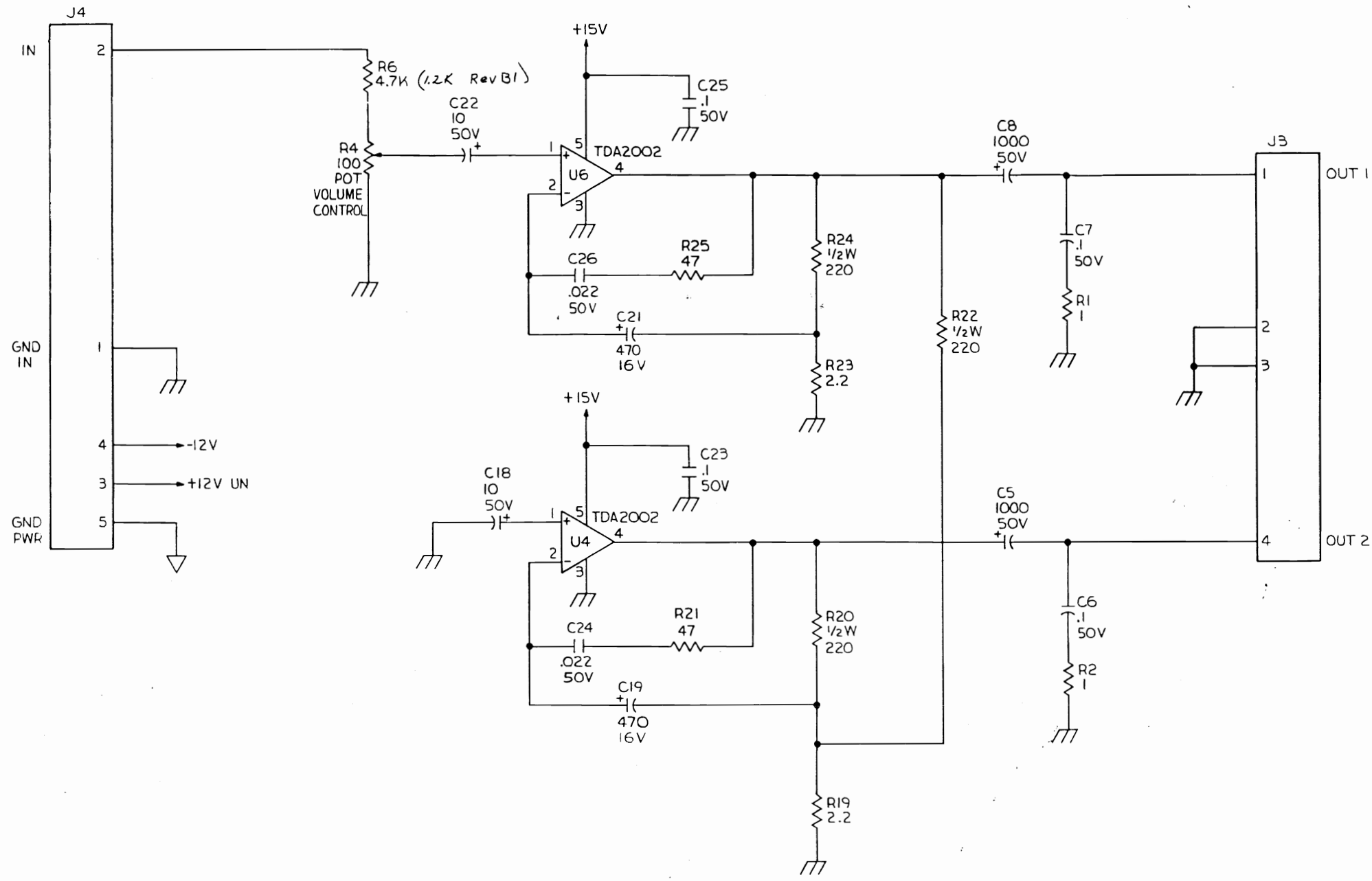
- NOTES: UNLESS OTHERWISE SPECIFIED
1. ALL RESISTORS ARE IN OHMS, 1/4W, 5%.
 2. ALL CAPACITORS ARE IN MICROFARADS.
 3. LAST REFERENCE DESIGNATORS USED: R25, C27, D25, U6, Q2, F5, J19, SCRI.
 4. HEAT SINK ATTACHED TO AUDIO GROUND.
 5. = AUDIO GND
- = GND

VENOR NOTE TO AVOID PART REACTION: ALL PARTS MUST BE MARKED WITH PART NUMBER EXCEPT WHEN SIZE OR QUANTITY WARRANTS BAG AND TAG IF UNCERTAIN. CONTACT BUYER PRIOR TO PURCHASE.

NOTICE TO ALL PERSONS RECEIVING THIS DRAWING: CONFIDENTIAL. Reproduction Forbidden without the specific written permission of Pizza Time Theatre Inc. of Sunnyvale, California. This drawing is only conditionally loaned, and neither receipt nor possession of the original or transfers any right in, or license to use, the subject matter of the drawing or any design or technical information shown thereon, nor any right to reproduce this drawing or any part thereof, except for manufacture by vendors for Pizza Time Theatre Inc. and for manufacture under the corporation's written license, no right to reproduce this drawing is granted or the subject matter thereof unless by written agreement with or written permission from the corporation.

RELEASED BY: WES 2/3/86		MO51-OOC52-BO18	
ITEM	DESCRIPTION/MATERIAL	QTY	
	UNLESS OTHERWISE SPECIFIED DIMENSIONS ARE IN INCHES TOLERANCES ON:		
	ANGLES = ± 1°		
DASH NO.	NEXT ASSY NO.	SURFACE FINISH: X = ± 0.1, XX = ± 0.05, XXX = ± 0.10	DO NOT SCALE DRAWING
USED ON	MATERIAL	FINISH	DRAWN BY DATE: L. PERCIVAL 2/22/84
			CHECKED L. FORTE 2/29/84
			ENGINEER
			MFG ENGINEER
			PROJECT ENGINEER
TITLE: SCHEMATIC, LINEAR POWER SUPPLY		D	DRAWING NO: 008-8009-10-0B
SCALE: NONE		SHEET 1	OF 2

SYM	REV	ECO NO.	REVISIONS DESCRIPTION	DATE	APPROVED



RELEASED BY: WES 2/1/86		MOS1-00C52-B018	
ITEM	DESCRIPTION/MATERIAL	QTY	
UNLESS OTHERWISE SPECIFIED DIMENSIONS ARE IN INCHES TOLERANCES ON ANGLES = ± 1°		DO NOT SCALE DRAWING	
DASH NO	NEXT ASSY NO	DRAWN BY	DATE
		L. PERCIVAL	2/3/84
USED ON		CHECKED	
MATERIAL		ENGINEER	
FINISH		MFG. ENGINEER	
		PROJECT ENGINEER	
		TITLE	
		SCHEMATIC, LINEAR POWER SUPPLY	
SIZE	DRAWING NO	REV	
D	008-8009-10-05	B	
SCALE	NONE	SHEET	2 OF 2

VENDOR NOTE TO AVOID PART REJECTION ALL PARTS MUST BE MARKED WITH PART NUMBER EXCEPT WHERE SIZE OR QUANTITY WARRANTS BOLD AND TAG IF UNCERTAIN CONTACT BUYER PRIOR TO SHIPMENT

NOTICE TO ALL PERSONS RECEIVING THIS DRAWING: CONFIDENTIAL. Reproduction Forbidden without the specific written permission of Pizza Time Theatre Inc. of Sunnyvale, California. This drawing is only conditionally issued and neither the purchaser nor the manufacturer of the drawing or any design or technical information shown therein, nor any right to reproduce this drawing or any part thereof, except for manufacture by vendor for Pizza Time Theatre, Inc. and for manufacture under the corporation's written license, no right to reproduce this drawing is granted or the subject matter thereof unless by written agreement with or written permission from the corporation.