

RESCUE RAIDER

Universal Field Kit Instructions

Bally

MIDWAY MFG. CO.

10601 W Belmont Avenue
Franklin Park, Illinois 60131
U.S.A.



Phone (312) 451-9200 Cable Address MIDCO Telex No. 72-1596

WARNING

THIS GAME MUST BE GROUNDED. FAILURE TO DO SO MAY RESULT IN DESTRUCTION TO ELECTRONIC COMPONENTS.

WARNING: This equipment generates, uses and can radiate radio frequency energy and if not installed and used in accordance with the instruction manual, may cause interference to radio communications. It has been tested and found to comply with the limits for a CLASS A computing device pursuant to SUBPART J of PART 15 of FCC RULES, which are designed to provide reasonable protection against such interference when operated in a commercial environment. Operation of this equipment in a residential area is likely to cause interference in which case the user at his own expense will be required to take whatever measures may be required to correct the interference.

ELECTRICAL BULLETIN: FOR ALL APPARATUS COVERED BY THE CANADIAN STANDARDS ASSOCIATION (CSA) STANDARD C22.2 NO. 1, WHICH EMPLOYS A SUPPLY CORD TERMINATED WITH A POLARIZED 2-PRONG ATTACHMENT PLUG.

CAUTION: TO PREVENT ELECTRIC SHOCK DO NOT USE THIS (POLARIZED) PLUG WITH AN EXTENSION CORD, RECEPTACLE OR OTHER OUTLET UNLESS THE BLADES CAN BE FULLY INSERTED TO PREVENT BLADE EXPOSURE.

ATTENTION: POUR PREVENIR CHOCS ELECTRIQUES NE PAS UTILISER CETTE FICHE POLARISEE AVEC UN PROLONGATEUR. UNE PRISE DE COURANT OU UNE AUTRE SORTIE DE COURANT, SAUF SI LES LAMES PEUVENT ETRE INSEREES A FOND SANS EN LAISSER AUCUNE PARTIE A DECOUVERT.

***Bally*/MIDWAY**
T.M.

Invites You To Use

**OUR TOLL FREE NUMBER FOR
SERVICE INFORMATION CONCERNING THIS GAME, OR ANY
OTHER BALLY/MIDWAY™ GAME YOU NOW HAVE ON LOCATION.**

**CALL US FOR PROMPT, COURTEOUS
ANSWERS TO YOUR PROBLEMS.**

Video or Pinball - Continental U.S. 800-323-7182

***Bally*/MIDWAY**
T.M.

10601 West Belmont Avenue Franklin Park, Illinois, 60131 phone (312) 451-9200

©COPYRIGHT MCMLXXXVII BY BALLY MIDWAY MFG. CO. ALL RIGHTS RESERVED.

NO PART OF THIS PUBLICATION MAY BE REPRODUCED BY ANY MECHANICAL, PHOTOGRAPHIC, OR ELECTRONIC PROCESS, OR IN THE FORM OF A PHONOGRAPHIC RECORDING, NOR MAY IT BE TRANSMITTED, OR OTHERWISE COPIED FOR PUBLIC OR PRIVATE USE, WITHOUT PERMISSION FROM THE PUBLISHER. THIS MANUAL IS FOR SERVICE USE ONLY, AND NOT FOR GENERAL DISTRIBUTION. FOR PERMISSION REQUESTS, WRITE: BALLY MIDWAY MFG. CO., 10601 W. BELMONT AVE., FRANKLIN PARK, IL 60131.

Printed in U.S.A.

RESCUE RAIDER - UNIVERSAL FIELD KIT
TABLE OF CONTENTS

SYSTEM INFORMATION	PAGE
GAME DESCRIPTION	1
SELF TEST	2
OPTION SWITCH SETTINGS	3
KIT CONVERSION PROCEDURE	5
 ILLUSTRATED PARTS BREAKDOWN	
FIGURE 1 - SUGGESTED MTG. OF NEW CONTROLS ON EXISTING CONTROL PANEL	10
FIGURE 2 - NEW CONTROL CABLE ASSY. CONNECTED TO NEW CONTROLS	11
FIGURE 3 - PLACEMENT OF NEW ELEC. ASSEMBLIES IN GAME CABINET	12
DECAL INSTALLATION INSTRUCTIONS	13
RESCUE RAIDER UNIVERSAL FIELD KIT - PARTS LIST	14
POWER CHASSIS ASSY.: ILLUSTRATION	16
POWER CHASSIS ASSY.: PARTS LISTS	17
JOYSTICK ASSY.: ILLUSTRATED PARTS	18
 WIRING DIAGRAM, COMPONENTS LAYOUTS & SCHEMATICS	
CABINET WIRING DIAGRAM	19
UN-PROGRAMMED SMUDGE CPU BD. - COMPONENT LAYOUT	20
UN-PROGRAMMED SMUDGE CPU BD. - PARTS LIST	21
UN-PROGRAMMED SMUDGE CPU BD. - SCHEMATIC	23
AUDIO 6VB BD. - COMPONENT LAYOUT	32
AUDIO 6VB BD. - PARTS LIST	33
AUDIO 6VB BD. - SCHEMATIC	35
LINEAR POWER SUPPLY BD. - COMPONENT LAYOUT	38
LINEAR POWER SUPPLY BD. - PARTS LIST	39
LINEAR POWER SUPPLY BD. - SCHEMATIC	40

SAFETY

The following safety hints apply to all game operators and service personnel. Specific warnings and cautions will be found throughout this manual where they apply.

WARNINGS

AC POWER CONNECTION. Before connecting the game to the AC power source, verify that the proper voltage-selection plug is installed on the electronic chassis assembly.

PROPERLY GROUND THE GAME. Customers may receive an electrical shock if this game is not properly grounded! To avoid shocks, do not plug in the game until it has been inspected and properly grounded. Sente game should only be plugged into a grounded 3-wire outlet. Customers may receive an electrical shock if the control panel is not properly grounded! After servicing any parts on the panel, check that the grounding wires are secure. Only then should you lock up the game.

DISCONNECT POWER DURING REPAIRS. To avoid electrical shock, disconnect the game from the AC power source before removing or repairing any part of the game. When removing or repairing the monitor, extra precautions must be taken to avoid electrical shock because high voltages may exist within the display circuitry and cathode ray tube (CRT) even after power has been disconnected. Do not touch internal parts of the display with your hands or metal objects! Always discharge the second anode from the CRT before servicing this area of the game. To discharge the CRT: attach one end of a large, well-insulated, 20-kV jumper to ground. Momentarily touch the free end of the grounded jumper to the anode by sliding it under the anode cap. Wait two minutes and discharge the anode again.

USE THE PROPER FUSES. To avoid electrical shock, use replacement fuses which are specified in the parts list for this game. Replacement fuses must match those replaced in fuse type, voltage rating, and current rating. In addition, the fuse cover must be in place during game operation.

HANDLE FLUORESCENT TUBE AND CRT WITH CARE. If you drop a fluorescent tube or CRT and it breaks, it may implode! Shattered glass can fly eight feet or more from the implosion.

CAUTION

PROPERLY ATTACH ALL CONNECTORS. Make sure that the connectors on each printed-circuit board (PCB) are properly plugged in. If they do not slip on easily, do not force them. A reversed connector may damage your game and void the warranty.

W A R N I N G

The parts contained in this field conversion kit must be installed without deviation from the instructions contained in this manual and kit. Failure to follow these instructions in every detail may result in the creation of illegal interference to radio and TV reception.

BALLY MIDWAY has verified that this field conversion kit, when installed in the game(s) specified in this manual, complies with the requirements in Part 15 of the FCC rules for a Class A computing device. Operation of this equipment in a residential area may cause unacceptable interference to radio and TV reception, requiring the operator to take whatever steps are necessary to correct the interference.

BALLY MIDWAY will not be responsible for incomplete or improper conversions, or installation in a game for which this field conversion kit is not intended. If this field conversion kit is installed in a game that is not specified in this manual or in a previously converted game, the operator is required to take whatever steps are necessary to insure compliance with the requirements in Part 15, Subpart J, of the FCC Rules for a Class A computing device.

S P E C I A L N O T E S :

THE PARTS REMOVED, WHILE MAKING MODIFICATIONS
EXPLAINED IN THIS MANUAL, WILL NOT BE REUSED
IN FUTURE GAME CONVERSION KITS.

The word "discard", as used in this manual, makes reference to this fact. All parts removed may be considered usable for other purposes.

Please be advised that when converting a game, it is advisable that all former trademark and copyright registrations be removed in the conversion process.

RESCUE RAIDER GAME REVIEW

The following is a description of how Bally Midway's video game "Rescue Raider" operates. It is composed of two parts: a Game Play description and a Self-Test Mode description.

GAME PLAY

RESCUE RAIDER'S setting is a tropical island of forests, swamps and plains. It is "enemy-occupied" and several hostages are held in a variety of stockades and fortresses. The object of the game is to locate and rescue them as quickly and as "unscathed" as possible (using secret weapons and escape clues), to destroy all the enemies, and then get off the island. One or two players can play, and in the two player mode, the players alternate each time one of them is killed by the enemy. Whenever a player loses his last life, he is always given the option of adding a coin and continuing game play where he left off. The number of coins the player used to reach the end of the game is displayed in the high score table.

During game play, two joysticks are used: one (located on the left side of the control panel) to move a high-tech, anti-tank vehicle that represents the player; and the other (located on the right side of the control panel) to shoot various weapons. There are four levels of playing difficulty. In each level, a special weapon is provided for use against enemy tanks, land mines and armored cars. In addition; to correct aiming, the player must adapt to each weapon against increasingly complicated barriers and an ever-more-aggressive enemy. Sometimes highly sophisticated, the weaponry includes a grenade launcher and cruise missiles. Also, the player's vehicle can become airborne by using a jet-pack. These "special weapons" are used by the player by first finding and picking up the weapons. Then the main machine gun or the currently attached "special weapon" is selected by pressing the "special weapon" button. The screen is vertically divided into two parts, the largest depicting the play field. About one-quarter of the screen's right side resembles a computerized control panel with four different displays. One details the sector of the island presently occupied, with a flashing box to highlight player location and radar blips that pinpoint the positions of secret documents and hostages. The other three displays show the direction to: clues, fuel dumps, ammunition, etc.; the type of weapon currently in use; and a record of hostages rescued and those not yet freed. Scoring (based on enemies destroyed, hostages rescued, and secrets found) is shown at the top of the screen where a gauge also indicates fuel supply. Opportunities to refuel occur throughout the game. The player is awarded one bonus life for each hostage rescued.

The level of game difficulty increases with a northward movement on the island through 4 zones. The player continues to struggle to ward off the enemy, locate clues, fuel, and weapons, circumvent walls and water and rescue hostages, until finally reaching an escape ship in a strongly protected harbor. In order to progress to the next zone, the player must find, destroy and drive thru a "gate" which separates each zone. Upon reaching the escape ship, the player is awarded bonus points for the number of hostages and secret documents retrieved, and for the number of lives and amount of fuel remaining at the end of the game.

SELF-TEST MODE

A special "test mode" is built into the game that allows the operator to check the current game option settings, to view the player statistics that are gathered, and to reset the statistics and the high score table.

The self-test mode is entered by flipping the existing "test switch" (which should be located on or near the coin door) at anytime. The first screen is an input, output and options setting display. While this display is on the screen, ensure that the joystick switches and the "SPECIAL WEAPONS" button are operating correctly. Especially make sure that the 45° positions of both joysticks (where 2 switches are closed at the same time) are easily reached (bend the contact tabs on the joystick to adjust when the switch opens and closes).

While in this mode, the lighted "SPECIAL WEAPONS" control panel button will blink. Make sure the bulb is working.

The current game switch options are also displayed on this screen. Flip the dip switches at SW1 and SW2 to change the option (see "Option Switch Settings" on pages 6 and 7).

Press the START 1 button to go to the next screen. The next screen contains Game Time Statistics, which includes: total plays; total coins; average time per game; average time per coin; maximum game time; and a histogram of game times. (Note: the histogram shows GAME TIME statistics, **not** TIME PER COIN statistics). The important piece of information here is the average time per coin. If the average time per coin is too long, then make the game harder by reducing the number of lives given per coin or by reducing the minimum game time. If it's too short, increase the number of lives per coin or the minimum game time by re-setting the proper option switches.

Press START 1 to go to the next screen: Game Score Statistics. Here is presented the total number of games, the all-time high score, and a histogram of game scores (X 10,000).

To reset the statistics, press START 2, twice. This resets the statistics and the high score table.

Flip the test switch button at any time to go back to game play mode.

RESCUE RAIDER U.R.

OPTION SWITCH SETTINGS

SWITCH NO. 1 (SW1) - AT E1 - LOCATED ON SMUDGE CPU BOARD

//////////////////////////////////// VARIOUS GAME PLAY OPTIONS //////////////////////////////////////

<u>DURING GAME PLAY:</u>	<u>SW#1</u>	<u>SW#2</u>	<u>SW#3</u>	<u>SW#4</u>	<u>SW#5</u>	<u>SW#6</u>	<u>SW#7</u>	<u>SW#8</u>
					NOT USED	NOT USED		
* 4 LIVES ON EACH COIN 5 LIVES ON EACH COIN 6 LIVES ON EACH COIN 3 LIVES ON EACH COIN	ON	ON						
* MINIMUM GAME TIME: 90 SECONDS MINIMUM GAME TIME: 60 SECONDS MINIMUM GAME TIME: 45 SECONDS MINIMUM GAME TIME: 120 SECONDS			ON	ON	OFF	ON	ON	OFF
* KEEP HIGH SCORES ON POWER UP RESET HIGH SCORES ON POWER UP							ON	OFF
* MUSIC IN ATTRACT NO MUSIC IN ATTRACT								ON OFF
* INDICATED FACTORY RECOMMENDED SETTINGS	PART NO. M051-00J18-A007							

RESCUE RAIDER U.R.

OPTION SWITCH SETTINGS

SWITCH NO. 2 (SW2) - AT E2 - LOCATED ON SMUDGE CPU BOARD

//////////////////////////////////// COINS PER CREDIT //////////////////////////////////////

<u>VARIOUS CREDIT OPTIONS</u>	<u>SW#1</u>	<u>SW#2</u>	<u>SW#3</u>	<u>SW#4</u>	<u>SW#5</u>	<u>SW#6</u>	<u>SW#7</u>	<u>SW#8</u>
FREE PLAY	OFF	OFF	OFF	OFF	OFF	OFF	OFF	OFF
* 1 COIN / 1 CREDIT	ON	ON						
1 COIN / 2 CREDITS	OFF	ON						
2 COINS / 1 CREDIT	ON	OFF						
3 COINS / 1 CREDIT	OFF	OFF						

//////////////////////////////////// COINS ADD BONUS COINS //////////////////////////////////////

* NO BONUS COINS			ON	ON	ON			
2 COINS ADDS 1 BONUS COIN			OFF	ON	ON			
3 COINS ADDS 1 BONUS COIN			ON	OFF	ON			
4 COINS ADDS 1 BONUS COIN			OFF	OFF	ON			
4 COINS ADDS 2 BONUS COINS			ON	ON	OFF			
5 COINS ADDS 1 BONUS COIN			OFF	ON	OFF			
5 COINS ADDS 2 BONUS COINS			ON	OFF	OFF			
5 COINS ADDS 3 BONUS COINS			OFF	OFF	OFF			

//////////////////////////////////// COIN MECH MULTIPLIER //////////////////////////////////////

* LEFT COIN MECH X 1							ON	
LEFT COIN MECH X 2							OFF	
* RIGHT COIN MECH X 1								ON
RIGHT COIN MECH X 4								OFF
RIGHT COIN MECH X 5								ON
RIGHT COIN MECH X 6								OFF
* INDICATED FACTORY RECOMMENDED SETTINGS	PART NO. M051-00J18-A007							

RESCUE RAIDER UNIVERSAL FIELD KIT CONVERSION PROCEDURE

The new RESCUE RAIDER Field Conversion Kit is designed to be installed in any upright model game cabinet with a horizontally mounted monitor. Please read these instructions thoroughly before you begin.

Tools Required:

Nut Driver Set	Hammer
Slotted Screw Driver (medium size)	Punch
Phillips Screw Driver (medium size)	Power Drill
Solder	Drill Bit Set
Soldering Iron	Wire Cutter

REMOVAL OF OLD GAME HARDWARE:

1. Turn the power off to your game cabinet and disconnect it from its' wall outlet.
2. After opening access door(s) of your game cabinet, remove all existing P.C. boards and their mounting hardware. Discard P.C. boards and mounting hardware except for wood screws that can be reused later. Also remove, and save for reuse, ground straps and their mounting hardware.
3. After disconnecting Line Cord from existing Power Chassis Assembly remove Power Chassis, ground straps, and mounting hardware. Discard Power Chassis and its' mounting hardware except for wood screws that can be reused later. Also discard ground straps but save their mounting hardware for reuse.
4. DO NOT REMOVE existing Speaker Cable:
 - A. If your game cabinet's Speaker Cable is part of existing Master Cable (Wire Harness), do not disconnect these cable wires from existing Speaker. Separate out entire length of these cable wires from Master Cable and then cut wires off at their connections to P.C. board connector of Master Cable. Strip a little insulation from each wire for later splicing and soldering.
 - B. If your game cabinet's Speaker wiring is a separate cable assembly, do not disconnect cable wires from existing Speaker. Cut wires off at connection to P.C. board connector. Strip a little insulation from each wire for later splicing and soldering.
5. Completely remove your existing Master Cable (Wire Harness) and discard.
6. Modify existing High Voltage Cable Assembly to be connected to new parts supplied in your kit. Cut off connectors (which did secure to your old Power Chassis) and strip off a little insulation from each wire for later splicing and soldering.
7. Remove existing Control Panel from your game cabinet. Remove all controls and wiring from Control Panel. Leave existing unused cable clamps in same positions for reuse. Discard ground strap but save it's mounting hardware for reuse.

8. Remove existing Viewing Glass and save. Remove and save existing Monitor Bezel for later sizing of new Monitor Bezel.
9. Remove existing Header Attract Art and save for later sizing of new Header Attract Art.

INSTALLATION OF NEW GAME HARDWARE:

NOTE: Follow the steps below, the illustrations given in Figures 1, 2 & 3 (on pages 10, 11 & 12), the assembly illustrations (on pages 16 & 18), the Wiring Diagrams (on page 19).

1. To Install New Parts In Existing Control Panel:
 - A. Trim new Overlay (supplied in kit) so that it properly covers old Overlay on Control Panel. Slowly and carefully peel heavy waxed backing paper from new Overlay and place over old Overlay on Control Panel.
 - B. We recommend that center marks shown on new Overlay be used in locating new controls. **CAUTION: DO NOT** use given center marks for new "ONE PLAYER START" Push-Button Switch and new "TWO PLAYER START" Push-Button Switch. The spacing between them must be wider. **DO NOT** use given center marks on new Overlay if they conflict with locations of old control holes.
 - C. Cut out (or drill) necessary holes for mounting of new controls.
 - D. Secure Control Panel to game cabinet.
 - E. Install new controls to your newly modified Control Panel as shown in Figure 1 & 2. Mount controls using eight (8) carriage bolts, eight (8) hex head nuts and two (2) Pal nuts from your kit.
 - F. Route new Control Panel Cable Assembly and solder its' bare wire ends to terminals of new controls as shown in Figure 2 and Wiring Diagram (page 1 of 2). Reuse existing cable clamps.

IMPORTANT NOTES:

- Activator in each Joystick Assembly is positioned for "8-Way" joystick steering movement. (see "Joystick Assy: Shaft & Plate" illustration on page 18.)
 - Make sure that when joystick (of either assembly) is pulled in any diagonal (45°) direction, BOTH switches affected MUST BE CLOSED AT THE SAME TIME. "Reaching the diagonals" on both joysticks is CRITICAL TO PROPER GAME PLAY. Necessary switch adjustment requires bending switch contact leaves so that proper closure by joystick movement is achieved.
- E. Install new Game Play Instruction Card on Front of Control Panel where card will be plainly visible and will not block player's view of game.
2. Install new POWER CHASSIS ASSEMBLY, new POWER SUPPLY, AUDIO BOARD & MOUNTING PLATE ASSEMBLY, and new CARDRACK WITH CPU BOARD ASSEMBLY to inside of your cabinet in locations as suggested in Figure 3. Transformer on POWER CHASSIS ASSEMBLY should be to your left in your cabinet. We recommend that you use #8 wood screws of sufficient length to secure above new assemblies to your cabinet.

IMPORTANT NOTES:

- Locate "PIN 1" location label on each one of new Master Cable Assembly connectors you will secure to corresponding P.C. board connectors: P1 & P2 (on CPU BOARD) and J2 (on POWER SUPPLY P.C. BOARD). Do this to avoid making incorrect reversed connections.
- Make certain that a pair of black bare-ended wires (in Master Cable Assembly connected to pin 1 of connector P1 of CPU BOARD) BOTH are secured to your existing Coin Door LIGHT GROUND and SWITCH GROUND.

3. To install new Master Cable Assembly (refer to Figure 3 and both wiring diagrams):
 - A. Route new Master Cable Assembly in your cabinet and secure its connectors to assemblies as shown in both wiring diagrams. Reuse existing cable clamps.
 - B. Referring to both wiring diagrams, solder bare wire ends of Master Cable Assembly to existing Coin Door.

NOTE: Solder resistor and diode (supplied in Hardware and Bag Assembly) to Coin Door as shown in Wiring Diagram (page 2 of 2).

IMPORTANT NOTE:

Please observe in both wiring diagrams, the only coin meter voltage provided is for "12 volt" type coin meters.

4. Splice and solder two (2) three foot long wires of new (partial) Speaker Cable Assembly to two bare wire ends of existing Speaker Cable Assembly as shown in Wiring Diagram (page 1 of 2).
5. Modification of existing High Voltage Cables: Monitor; Header Light; and On-Off Switch (see Wiring Diagram (page 1 of 2) and POWER CHASSIS ASSEMBLY Illustration):
 - A. Monitor Cabling Modification:
 - Crimp pins (supplied in kit) onto three (3) bare wire ends of existing Monitor Cabling and plug each pin into 3 position connector housing (supplied in kit).
 - Plug connector P13 into Power Chassis connector J13.
 - B. Header Light Cabling Modification:
 - Crimp pins (supplied in kit) onto three (3) bare wire ends of existing Header Light Cabling and plug each pin into 3 position connector housing (supplied in kit).
 - Plug connector P12 into Power Chassis connector J12.
 - C. New Chassis Power Cable Assembly Installation:
 - Plug connector P11 into Power Chassis connector J11.

6. Secure existing line cord to line cord connector on new POWER CHASSIS ASSEMBLY.
 - A. If they don't match up, cut off and discard existing connector and strip back a little insulation.
 - B. Secure connector of new Adapter Cable Assembly to line cord connector of POWER CHASSIS ASSEMBLY.
 - C. We recommend that you splice each line cord with each Adapter Cable Assembly wire using wire nuts.

NOTE: If your game has an On-Off Switch in line with existing line cord, we recommend that you use modification shown in Wiring Diagram (page 1 of 2). Splice each prepared On-Off Switch wire with each Adapter Cable Assembly wire using wire nuts.

7. Installation of four (4) new Ground Straps which are supplied in your kit (refer to Figure 2, Figure 3, and POWER CHASSIS ASSEMBLY Illustration):
 - A. Secure 48" Ground Strap, 36" Ground Strap, and 18" Ground Strap to POWER CHASSIS ASSEMBLY with hex nut as shown in its' illustration.
 - B. Connect 18" Ground Strap to new CARDRACK WITH CPU BOARD ASSEMBLY.
 - C. Connect 36" Ground Strap to existing monitor.
 - D. Connect 48" Ground Strap, along with additional new 18" Ground Strap, to existing Coin Door's ground.
 - E. Connect other end of 18" Ground Strap to modified Control Panel.

NOTE: **DO NOT GROUND** THE NEW "POWER SUPPLY, AUDIO BOARD & MOUNTING PLATE ASSEMBLY.

8. To Install new Header Attract Art:
 - A. Center old Header Attract Art on new **over-sized** Header Attract Art.
 - B. Draw a line around outside edges of old Header Attract Art.
 - C. Cut out properly sized new Header Attract Art (trim, if necessary, for accurate fit).
 - D. Discard old Header Attract Art.
 - E. Install new Header Attract Art in game cabinet.
9. To install new Monitor Bezel:
 - A. Center old Monitor Bezel over new **over-sized** Monitor Bezel.
 - B. Draw a line around outside edges of old Monitor Bezel.
 - C. Cut out properly sized new Monitor Bezel (trim, if necessary, for accurate fit).
 - D. Discard old Monitor Bezel.
 - E. Place new Monitor Bezel over existing Monitor and set existing Viewing Glass in place.
10. Referring to "Decal Installation Instructions" on page 13, prepare your cabinet's sides and apply new Side Decals. Place them horizontally at sufficient height.
11. Close and latch Control Panel.

12. Close and lock Coin Door.
13. Check option switch settings (referring to pages 3 and 4).
14. Before powering up game cabinet, leave rear access door off. If your game has an interlock switch, pull it out to its' fully extended position.
15. Power up game and check Game Operation on Monitor screen and also check Controls.
16. Color Monitor Screen Adjustments (if necessary):
 - A. Center the picture,
 - B. Adjust vertical size (height),
 - C. Adjust horizontal size (width).

Make sure the words "SCORE" (located in upper left corner of screen) and "DIRECTION" (located in upper right corner of screen) do not get "cut off" of Monitor screen.

17. Close and lock rear access door (after returning interlock switch, if your game cabinet has one, to its normal position).

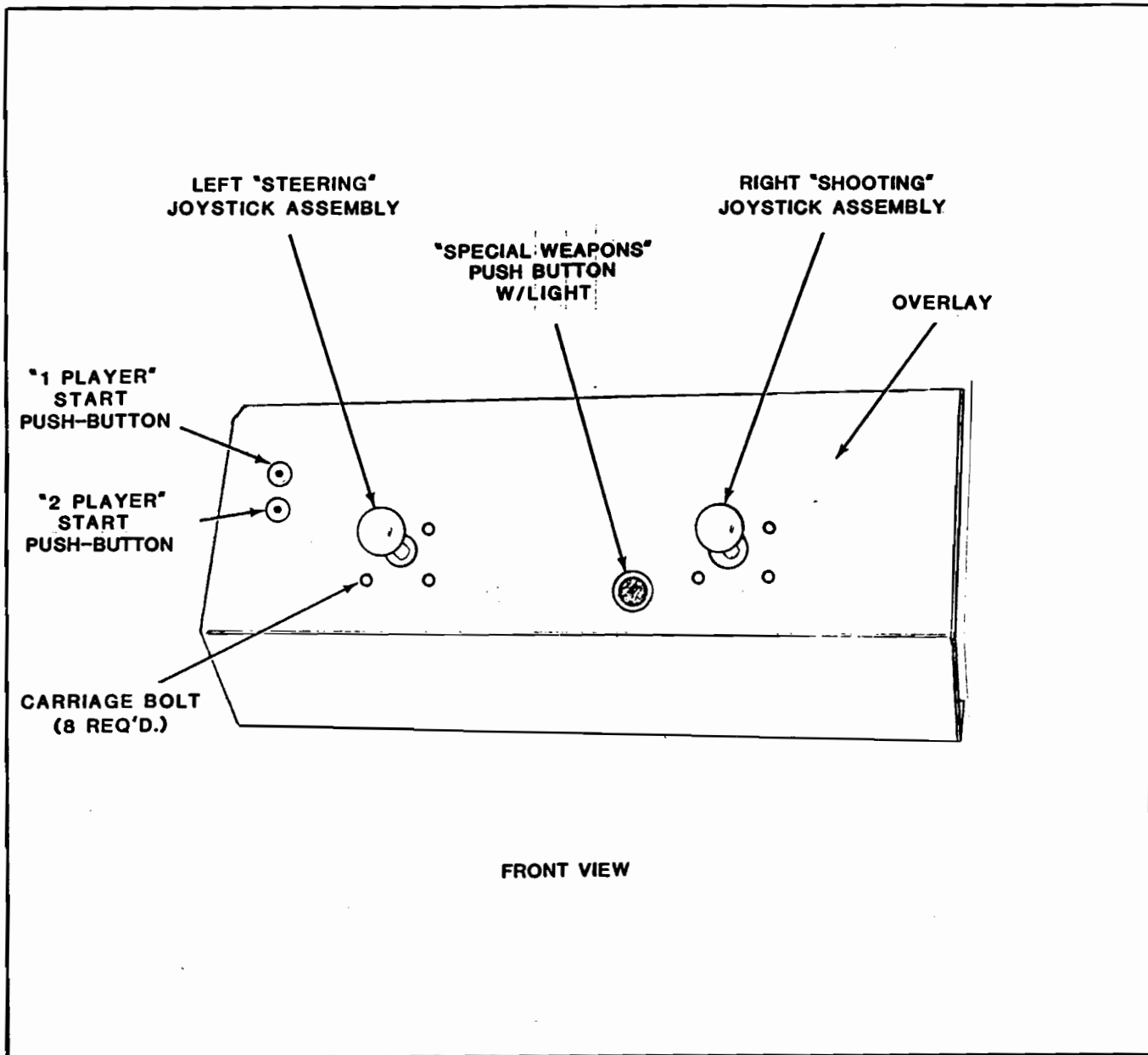


FIGURE 1. SUGGESTED MOUNTING OF NEW CONTROLS ON EXISTING CONTROL PANEL

SOLDER BARE WIRE ENDS
TO TERMINALS OF CONTROLS -
REFER TO WIRING DIAGRAM

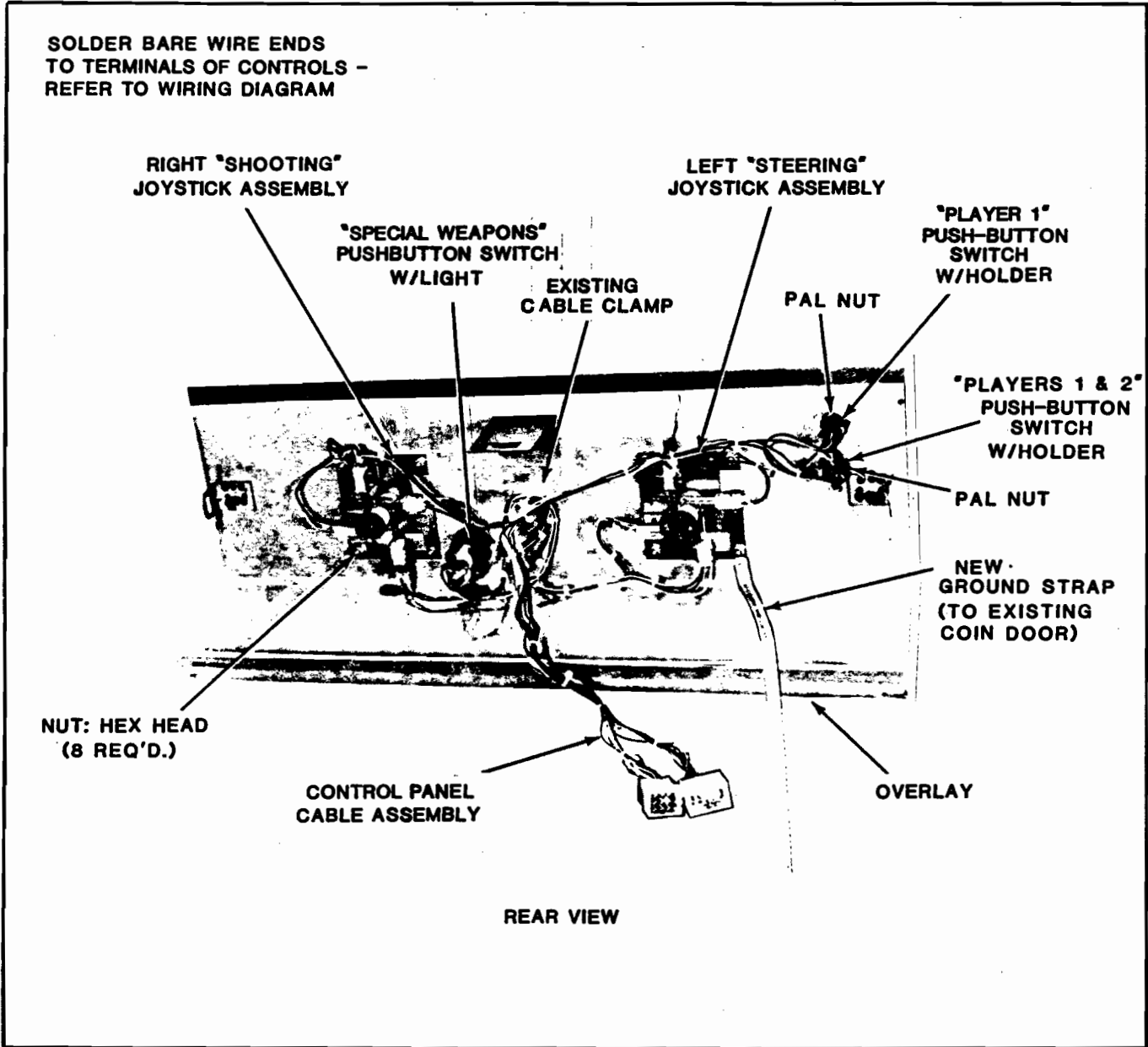


FIGURE 2. NEW CONTROL CABLE ASSEMBLY CONNECTED
TO NEW CONTROLS ON EXISTING CONTROL PANEL

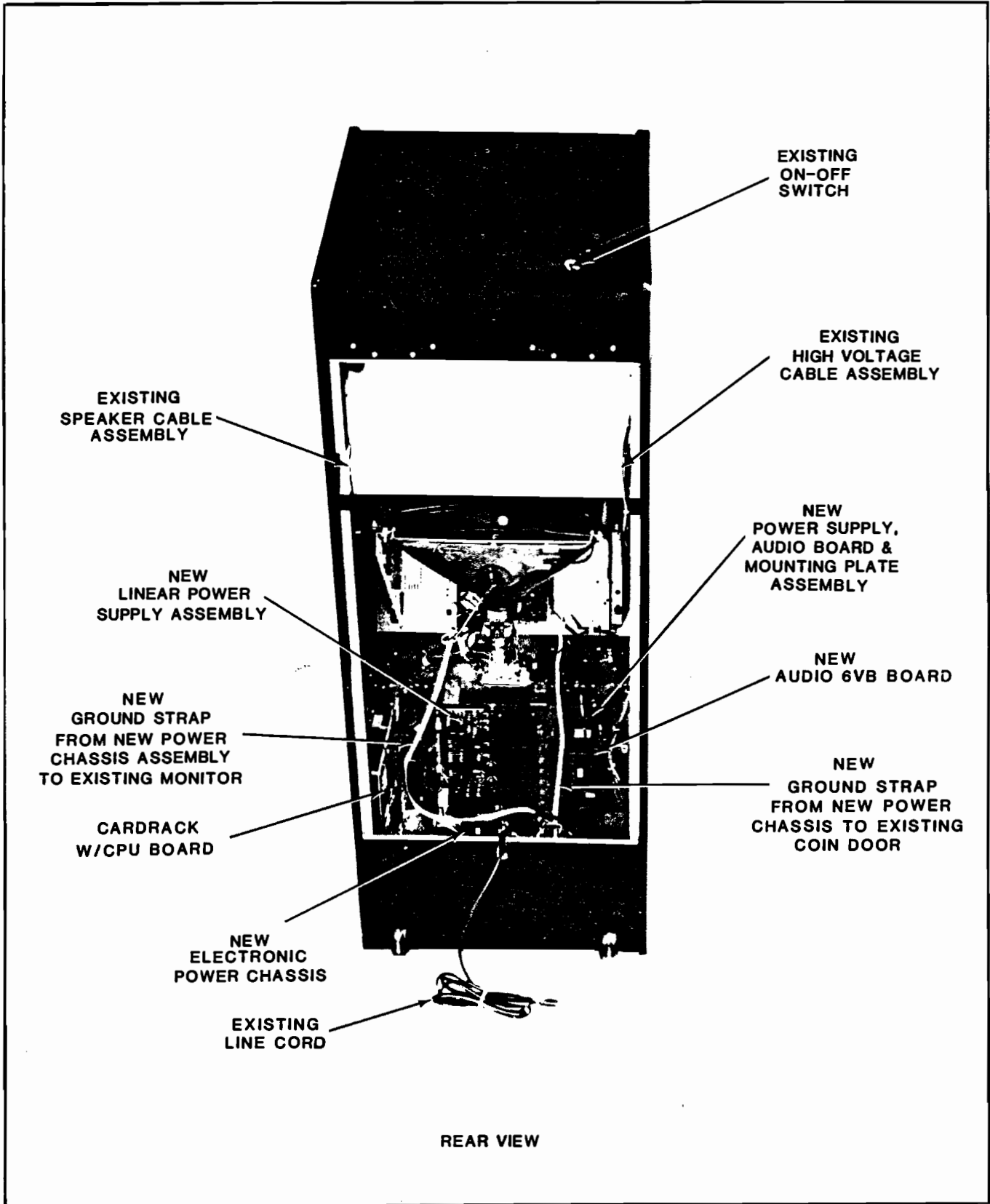


FIGURE 3. PLACEMENT OF NEW ELECTRONIC ASSEMBLIES IN GAME CABINET

DECAL INSTALLATION INSTRUCTIONS

I M P O R T A N T N O T E:

READ THE FOLLOWING INSTRUCTIONS THROUGH COMPLETELY AT LEAST ONCE BEFORE ATTEMPTING TO INSTALL THE DECAL(S) THEY CONCERN!!

THE DECAL(S) ARE COMPOSED OF TWO (2) PARTS: 1) A HEAVY WAXED BACKING SHEET WHICH COVERS THE STICKY SIDE OF THE DECAL, AND 2) THE DECAL ITSELF.

***** TO INSTALL THE DECAL(S), PROCEED AS FOLLOWS: *****

1. BE SURE THE AREAS WHERE YOU ARE GOING TO APPLY THE DECAL IS CLEAN AND FREE OF ALL DIRT, GREASE, AND GRIME.
2. USING ANY **SPRAY-ON GLASS CLEANER**, THOROUGHLY WET DOWN THE AREA WHERE YOU INTEND TO PUT THE DECAL.
3. REMOVE THE **HEAVY WAXED BACKING SHEET** FROM THE DECAL BY POSITIONING IT FACE UP ON A FLAT SURFACE: GOING TO **ANY CORNER**; AND BENDING THIS CORNER UP SLIGHTLY TO SEPARATE THE DECAL FROM THE **HEAVY WAXED BACKING SHEET**.
4. **SLOWLY AND CAREFULLY** PEEL THE HEAVY WAXED BACKING SHEET AWAY FROM THE DECAL.
5. PLACE THE DECAL ON THE GAME CABINET **OVER** THE **WET** GLASS CLEANER YOU JUST APPLIED. (THIS WILL ALLOW A **SMALL** AMOUNT OF FINAL POSITIONING TO BE DONE AFTER THE DECAL IS APPLIED TO THE GAME CABINET.)
6. SMOOTH THE DECAL.

RESCUE RAIDER UNIVERSAL FIELD KIT - PARTS LIST
PART NO. GJ18-00001-0000

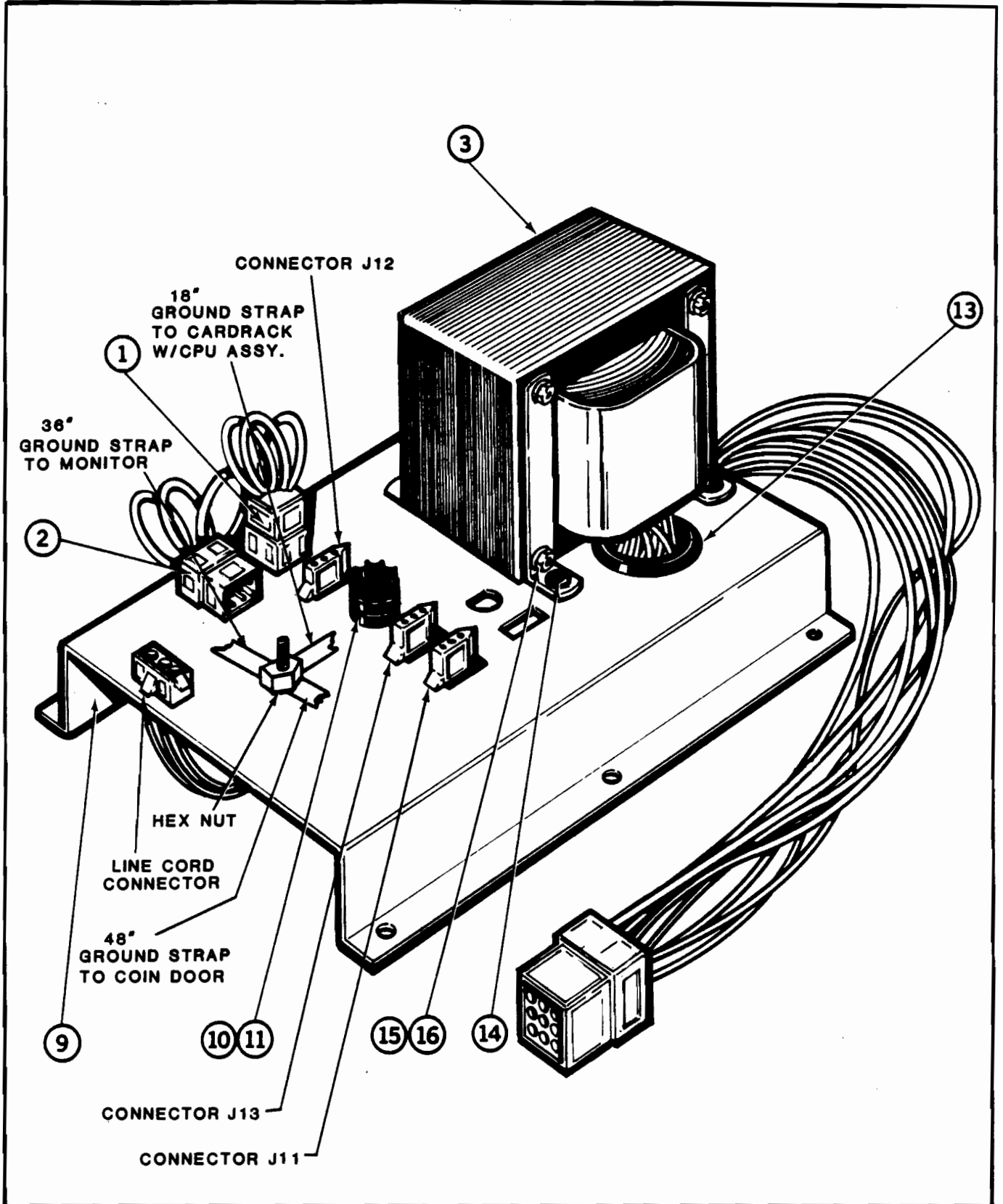
ORDER BY PART NUMBER ONLY

ITEM	PART NO.	DESCRIPTION
1	AJ18-00005-0000	CONTROL SHELF CABLE ASSY.
2	AJ18-00007-0000	MASTER CABLE ASSY.
3	AJ18-00013-0000	ON-OFF SWITCH CABLE ASSY.
4	AJ18-00014-0000	CHASSIS POWER CABLE ASSY.
5	AJ18-00009-0000	SPEAKER CABLE ASSY.
6	AE36-00021-0000	JOYSTICK ASSY.: SHAFT & PLATE; 8-WAY (2 REQ'D.) (SEE PAGE 18)
7	OJ18-00900-00XF	HEADER: RESCUE RAIDER UNIVERSAL FIELD KIT
8	OJ18-00903-0000	BEZEL: MASK-TV
9	OJ18-00901-0000	OVERLAY: CONTROL SHELF
10	OJ18-00902-0000	SIDE DECAL (2 REQ'D.)
	AC52-00018-0000	POWER SUPPLY AUDIO BD. & MTG. PLATE (INCLUDES ITEMS 11 THRU 13)
11	AC52-00007-0000	POWER SUPPLY & AUDIO BD. MOUNTING PLATE
12	B006-08002-100B	AUDIO 6VB BD. ASSY.
13	B006-08009-100B	LINEAR POWER SUPPLY BD. ASSY.
14	AJ18-00011-0000	POWER CHASSIS (W/O LINE CORD) (SEE PAGE 16)
15	AC47-00016-0000	LINE FILTER ASSY. W/PINS
	0017-00003-0443	LINE FILTER: 3-AMP 115V
16	AB18-00024-0100	JUMPER PLUG ASSY.: 110 VAC
17	AB18-00024-0200	JUMPER PLUG ASSY.: 220 VAC
18	OC52-00101-0000	PLATE: POWER CHASSIS
19	0017-00003-0263	FUSE: MDA 3AG 250V SLOW-BLOW
20	0017-00003-0433	FUSE HOLDER: W/CAP
21	0017-00042-0685	BUSHING: SNAP 15/16"
22	0017-00042-0686	BUSHING: SNAP 1-15/16"
	AJ18-00012-0000	CARDRACK W/CPU: (INCLUDES ITEMS 23 THRU 29)
23	AE82-00013-0100	BRKT., SHIELD & SPACER ASSY.

RESCUE RAIDER UNIVERSAL FIELD KIT - PARTS LIST, CONT'D.
 PART NO. GJ18-00001-0000
 ORDER BY PART NUMBER ONLY

ITEM	PART NO.	DESCRIPTION
	A084-91889-AJ11	PROGRAMMED DEDICATED CPU: (INCLUDES ITEMS 24 THRU 29)
24	J11A-12601-0000	EPROM: 27256-25 POSITION GR-0
25	J11A-12602-0000	EPROM: 27256-25 POSITION GR-4
26	J11A-12605-0000	EPROM: 27256-25 POSITION ROM AB-8
27	J11A-12606-0000	EPROM: 27256-25 POSITION ROM AB-12
28	J11A-12609-0000	EPROM: 27256-25 POSITION ROM CD-8
29	J11A-12610-0000	EPROM: 27256-25 POSITION ROM CD-12
	AJ18-00010-0000	BAG & HARDWARE ASSY. (INCLUDES ITEMS 30 THRU 44)
30	0017-00032-0093	SWITCH: WHITE, W/HOLDER (2 REQ'D.)
31	0017-00032-0150	SWITCH: SPST PUSH BUTTON W/LITE, RED
32	0017-00042-0259	PUSH BUTTON (2 REQ'D.)
33	0017-00009-0583	GROUND STRAP - 18" LONG - YELLOW (2 REQ'D.)
34	0017-00009-0583	GROUND STRAP - 36" LONG - YELLOW
35	0017-00009-0595	GROUND STRAP - 48" LONG - YELLOW
36	M051-00J18-A012	LABEL: GAME INSTRUCTIONS
37	0017-00021-1119	PIN TERMINALS: M-N-L (10 REQ'D.)
38	0017-00021-1770	PLUG (CONNECTOR HOUSING): M-N-L 3-POSITION (2 REQ'D.)
39	0017-00101-0770	8-32 X 1-3/4" ROUND HEAD CARRIAGE BOLT (8 REQ'D.)
40	0017-00101-0802	#8 X 9/16" UNSLOTTED HEX HEAD W/WASHER SCREW (2 REQ'D.)
41	0017-00103-0054	NUT: 5/8 - 11 PAL
42	0017-00103-0061	NUT: 8-32 HEX W/SEMS
43	103E-00003-0005	1N4004 400V 1 AMP DIODE
44	100E-00007-0019	RESISTOR: 270 OHMS 1 WATT
45	AJ18-00300-0000	CATALOG & BAG ASSY.: RESCUE RAIDER UNIVERSAL FIELD KIT
	M051-00J18-A011	INSTRUCTIONS: RESCUE RAIDER UNIVERSAL FIELD KIT
	M051-00J18-A007	TAG: OPTION SWITCH SETTING
	M051-00113-0000	LABEL: FCC CLASS-A COMPLIANCE

POWER CHASSIS ASSEMBLY
PART NO. AJ18-00011-0000

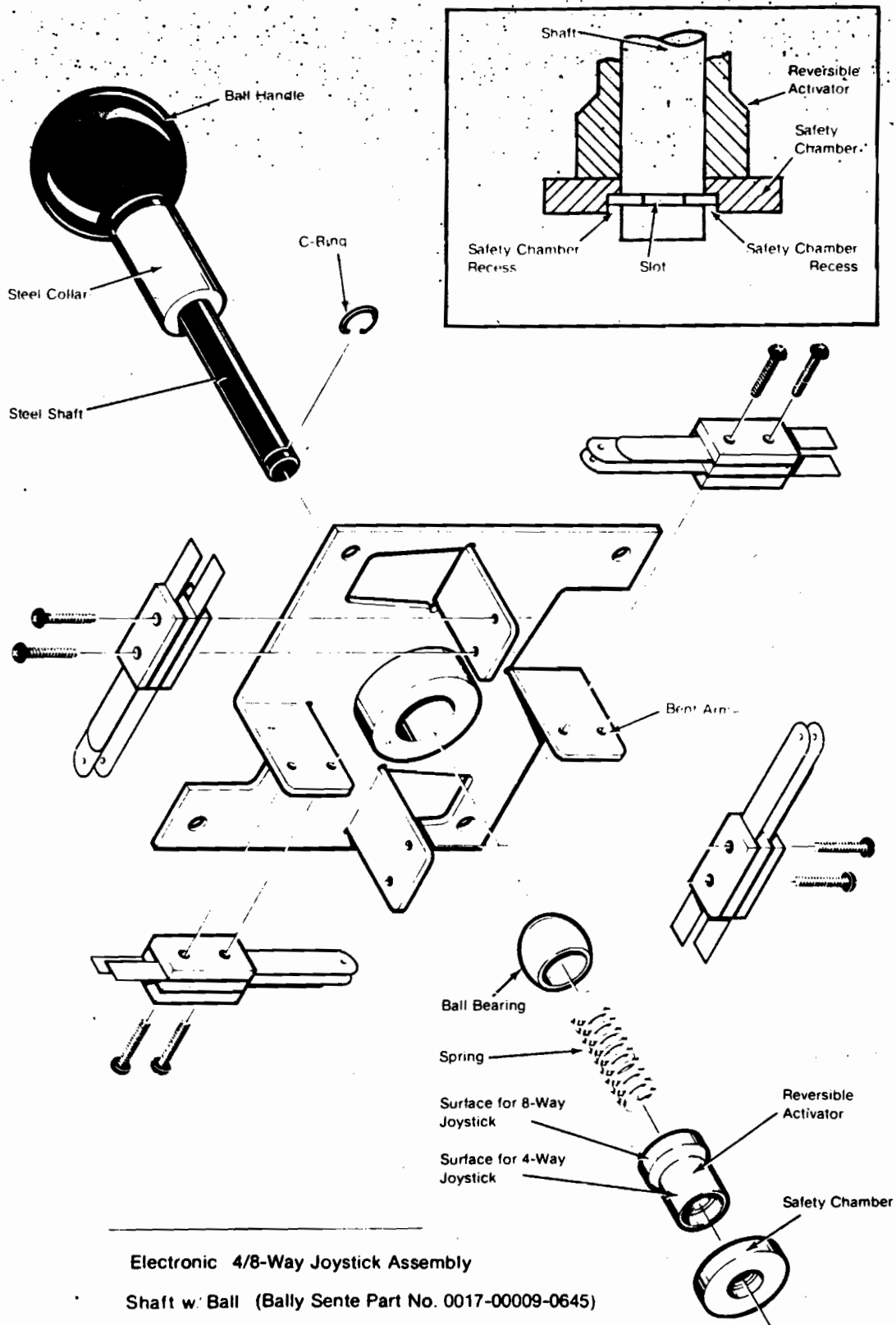


**POWER CHASSIS ASSEMBLY
PART NO. AJ18-00011-0000**

ORDER BY PART NUMBER ONLY

ITEM	PART NO.	DESCRIPTION
1	AB18-00024-0100	JUMPER PLUG ASSY.: 110VAC (YELLOW)
2	AB18-00024-0200	JUMPER PLUG ASSY.: 220VAC (BLUE)
3	AB18-00034-0000	POWER TRANSFORMER ASSY.: W/PINS
4	AC47-00016-0000	LINE FILTER ASSY.: W/PINS
	0017-00003-0443	LINE FILTER: 3-AMP 115V
5	AC52-00022-0000	CHASSIS JUMPER CABLE ASSY. (NOT SHOWN)
6	AE19-00005-0000	A.C. SENSE CABLE ASSY. (NOT SHOWN)
7	AE19-00005-0100	A.C. SENSE CABLE SUB-ASSY. (NOT SHOWN)
8	OC52-00101-0000	PLATE: POWER CHASSIS
9	0017-00003-0263	FUSE MDA 3AG, 4 AMP, 250V, SLOW-BLOW
10	0017-00003-0433	FUSE HOLDER: W/CAP
11	0017-00042-0685	SNAP-BUSHING: 15/16"
12	0017-00042-0686	SNAP-BUSHING: 1-15/16"
13	0017-00101-0477	10-24 X 10/16" ROUND HEAD, SQUARE NECK BOLT (4 REQ'D.)
14	0017-00101-0555	6-32 X 5/16" SLOTTED, HEX W/WASHER SCREW (2 REQ'D.) (NOT SHOWN)
15	0017-00103-0017	NUT: #10-24 HEX (4 REQ'D.)
16	0017-00104-0125	WASHER: .200" I.D., .562" O.D. & .032" TH. DISH (4 REQ'D.)

**JOYSTICK ASSY.: SHAFT & PLATE
PART NO. AE36-00021-0000**



Electronic 4/8-Way Joystick Assembly

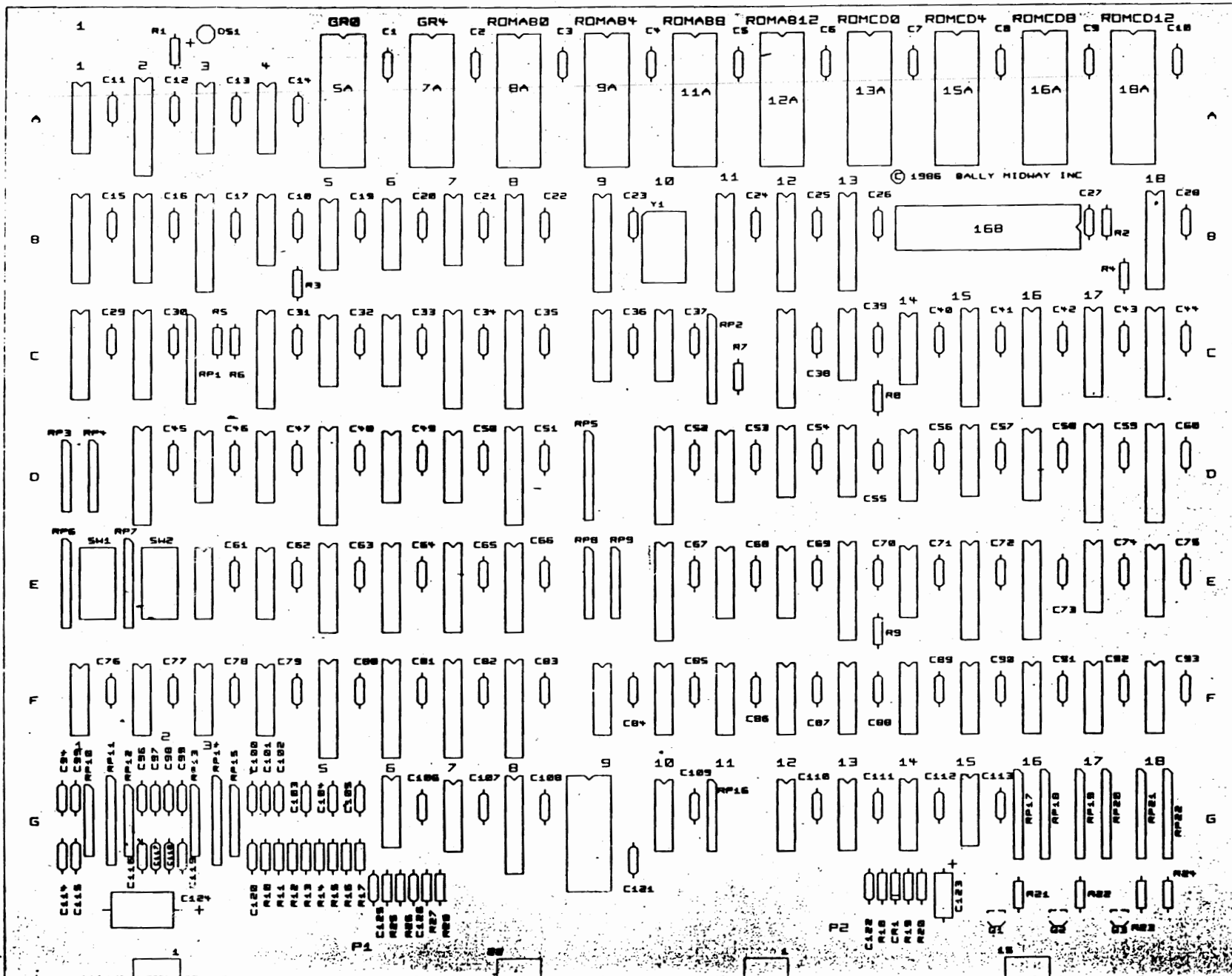
Shaft w/ Ball (Bally Sente Part No. 0017-00009-0645)

Plate w/ Switches (Bally Sente Part No. 0017-00009-0686)

BALLY/MIDWAY RESCUE RAIDER
ROM/EPROM PART NUMBERS
M051-00J18-A008

<u>POS</u>	<u>PART NUMBER</u>
GRO	J11A-12601-0000
GR4	J11A-12602-0000
AB8	J11A-12605-0000
AB12	J11A-12606-0000
CD8	J11A-12609-0000
CD12	J11A-12610-0000

3-5-87 REL. FOR PROD.



THIS DWG IS CONFIDENTIAL & PROPERTY OF BALLY/MIDWAY MFG CO.

DIM. TOLERANCES UNLESS OTHERWISE SPEC. CONCENTRICITY T.I.R. .002 FRACTIONAL ± .184 DECIMAL ± .005 HOLE DIA. + .002 - .000 ANGLE ± 1/2° DO NOT SCALE DWG.	FIRST USED ON DAY <i>Y.S.</i>	DATE 3-13-87	SCALE	<i>Bally/MIDWAY MFG. CO.</i> FRANKLIN PARK, N. 00131	REVISIONS <i>Rel for Production J.S. 3/13/87</i>
	MECH. CHK <i>Y.S.</i>	MAT'L	FINISH		UN-PROG SMUDGE CPU. BD. ASSEMBLY DRWG. A084-91889-A000

M051-00114-A193
X-REFERENCE SMUDGE CPU
A084-91889-A000 / PAGE 1 OF 3

DESCRIPTION	QTY.	DESIGNATION	PART NUMBER
74F153	1	9F	0J13-00803-0001
74F163	8	5C,6C,14C,4D,4E, 14E,14F,15F	0J13-00803-0002
74F174	1	11D	0A59-00803-0005
74F374	2	2D,10E	U200-00080-0100
74LS00	1	9C	U200-00039-0100
74LS02	1	4B	U200-00040-0100
74LS04	1	15G	U200-00041-0100
74LS32	1	13D	U200-00043-0100
74LS74	1	13C	U200-00044-0100
74LS86	2	7B,8B	U200-00075-0100
74LS96	1	14D	U200-00045-0100
74LS138	1	13G	U200-00048-0100
74LS157	3	3D,3E,4A	0304-00803-0021
74LS164	1	15D	U200-00076-0100
74LS174	4	3A,5B,6B,7G	U200-00053-0100
74LS243	1	17E	0J13-00803-0003
74LS244	4	13B,18B,7C,18D	U200-00055-0100
74LS245	1	16C	U200-00056-0100
74LS253	6	6D,7D,1F,2F 3F,4F	U200-00057-0100
74LS257	1	1A	U200-00078-0100
74LS259	1	12G	U200-00058-0100
74LS273	1	2A	U200-00059-0100
74LS299	1	15C	U200-00077-0100
74LS374	6	8C,12C,5D,8D 5F,7F	U200-00060-0100
74S04	1	10C	U200-00063-0100
74S74	1	12D	U200-00066-0100
74S151	6	11E,12E,10F,11F, 12F,13F	U200-00067-0100
74S157	1	16D	U200-00068-0100
74S174	2	16F,18F	U200-00070-0100
74S175	2	18E,17F	0J13-00803-0006
74S244	3	3B,6F,8F	0J13-00803-0004
74S374	1	9B	0J13-00803-0005
14049,CMOS	1	14G	U210-00005-0100
14584,CMOS	1	6G	0304-00803-0056
ULN-2003	1	10G	U260-00002-0100

M051-00114-A193
X-REFERENCE SMUDGE CPU
A084-91889-A000 / PAGE 2 OF 3

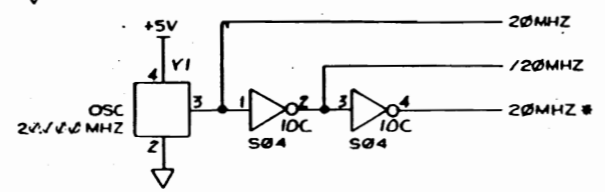
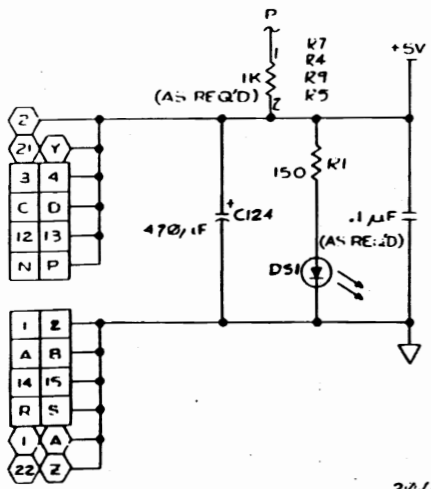
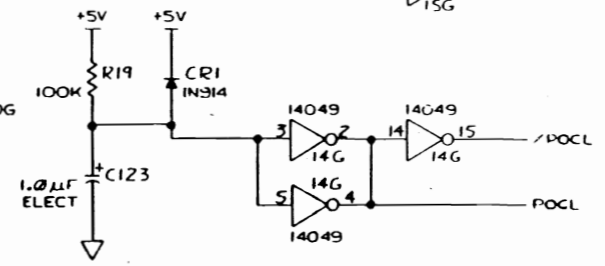
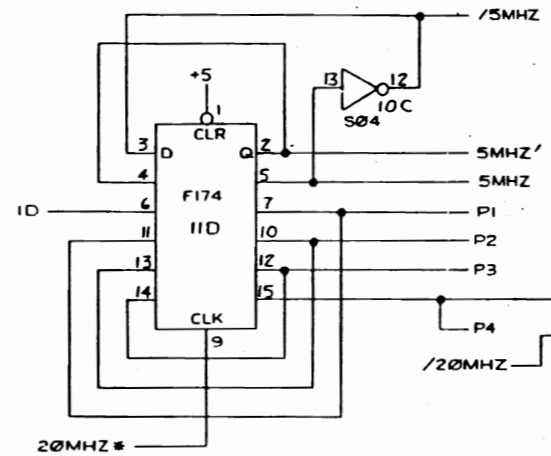
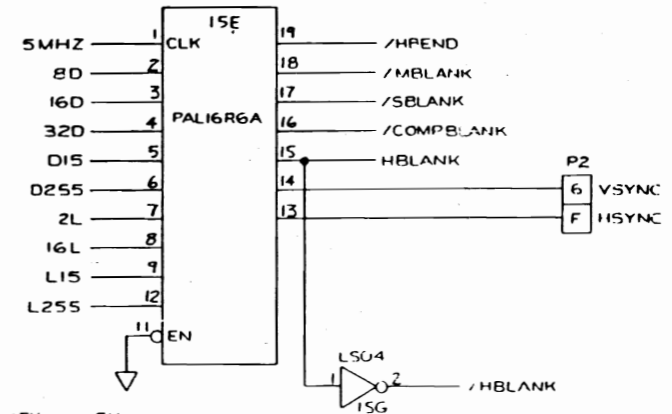
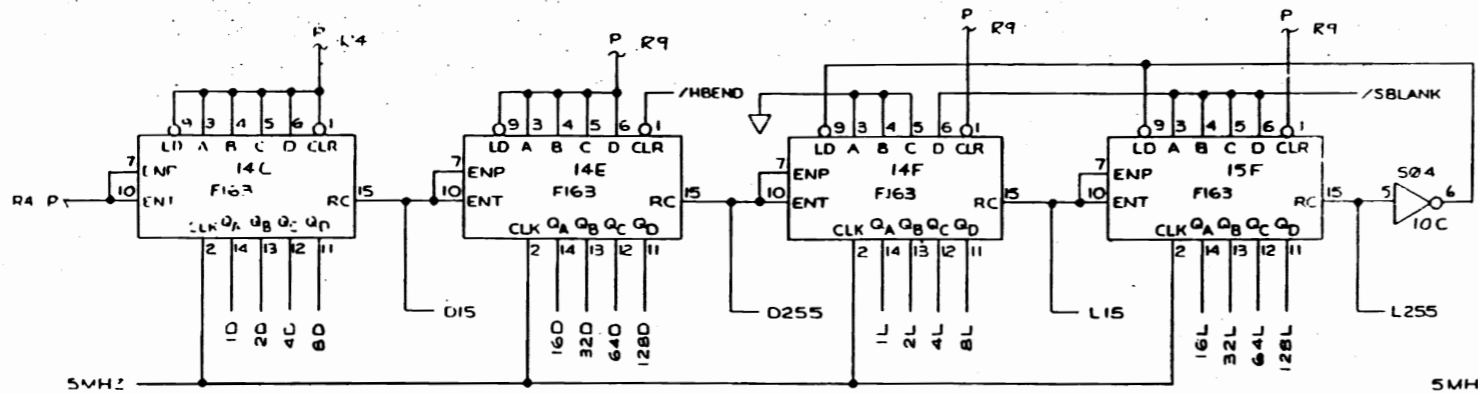
DESCRIPTION	QTY.	DESIGNATION	PART NUMBER
4416-15,DRAM,16KX4	8	1B,2B,1C,2C,5E, 6E,7E,8E	0J13-00803-0008
CY7C168,S RAM,4KX4	1	17D	0J13-00803-0007
X2212,NOVRAM,256X4	2	17C,18C	U230-00007-0100
PAL 10L8C	1	11B	J13A-12802-0000
PAL 16L8A-2	1	12B	J13A-12801-0000
PAL 16R6A	1	4C	J13A-12803-0000
PAL 16R6A	1	10D	J13A-12804-0000
PAL 16R6A	1	15E	J13A-12805-0000
PAL 16R6A	1	16E	J13A-12806-0000
PAL 16R6A	1	8G	J13A-12807-0000
68A09E	1	16B	U250-00006-0100
68B50	1	9G	U250-00010-0100
20 MHZ OSC.	1	Y1	0304-00804-0007
LED	1	DS1	U840-00036-0100
1N914 DIODE	1	CR1	103E-00002-0002
2N3904 XSTR	3	Q1,Q2,Q3	104E-00001-0006
8-POS. DIP SW.	2	SW1,SW2	113E-00001-0003
IC SOCKET 20-PIN	7	11B,12B,4C,10D 15E,16E,8G	110E-00001-0005
IC SOCKET 24-PIN	1	9G	110E-00001-0007
IC SOCKET 28-PIN	10	5A,7A,8A,9A,11A 12A,13A,15A,16A 18A	110E-00001-0010
IC SOCKET 40-PIN	1	16B	110E-00001-0011
RESISTOR 150 OHM 1/4W	1	R1	100E-00005-0037
RESISTOR 330 OHM 1/4W	6	R11,R13,R15,R17, R25,R27	100E-00005-0047
RESISTOR 1K OHM 1/4W	10	R3-R5,R7-R9,R21-R24	100E-00005-0061
RESISTOR 2.7K OHM 1/4W	1	R20	100E-00005-0072
RESISTOR 3.3K OHM 1/4W	6	R10,R12,R14,R16 R26,R28	100E-00005-0074
RESISTOR 4.7K OHM 1/4W	1	R2	100E-00005-0079
RESISTOR 10K OHM 1/4W	1	R6	100E-00005-0088
RESISTOR 100K OHM 1/4W	2	R18,R19	100E-00005-0115

M051-00114-A193
 X-REFERENCE SMUDGE CPU
 A084-91889-A000 / PAGE 3 OF 3

<u>DESCRIPTION</u>	<u>QTY.</u>	<u>DESIGNATION</u>	<u>PART NUMBER</u>
SIP 8-PIN 4X33	6	RP3-4,RP8-9 RP13,RP15	U460-00015-0100
SIP 10-PIN 5X33	2	RP1,RP5	U460-00016-0100
SIP 10-PIN 9X470	2	RP11,RP14	U460-00012-0100
SIP 8-PIN 7X1K	1	RP16	U460-00014-0100
SIP 8-PIN 4X1K	2	RP10,RP12	102E-00004-0046
SIP 10-PIN 9X1K	1	RP2	102E-00004-0013
SIP 10-PIN 5X1K	3	RP17,RP19,RP21	102E-00004-0047
SIP 10-PIN 5X2K	3	RP18,RP20,RP22	102E-00004-0048
SIP 10-PIN 9X10K	2	RP6,RP7	U460-00013-0100
CAP. CER. AX. .1MF	124	C1-C122,C125,C126	U300-00009-0100
CAP. EL. AX. 1MF	1	C123	U340-00015-0100
CAP. EL. AX. 470MF	1	C124	U340-00018-0100
EPROM	10	5A,7A,8A,9A,11A,12A, 13A,15A,16A,18A	SEE ROM/EPROM SHEET
RAW PCB	1	-	A080-91889-A000

Rel. for Production 3-12-87 / J.S.

REV	REV NO	DATE	BY



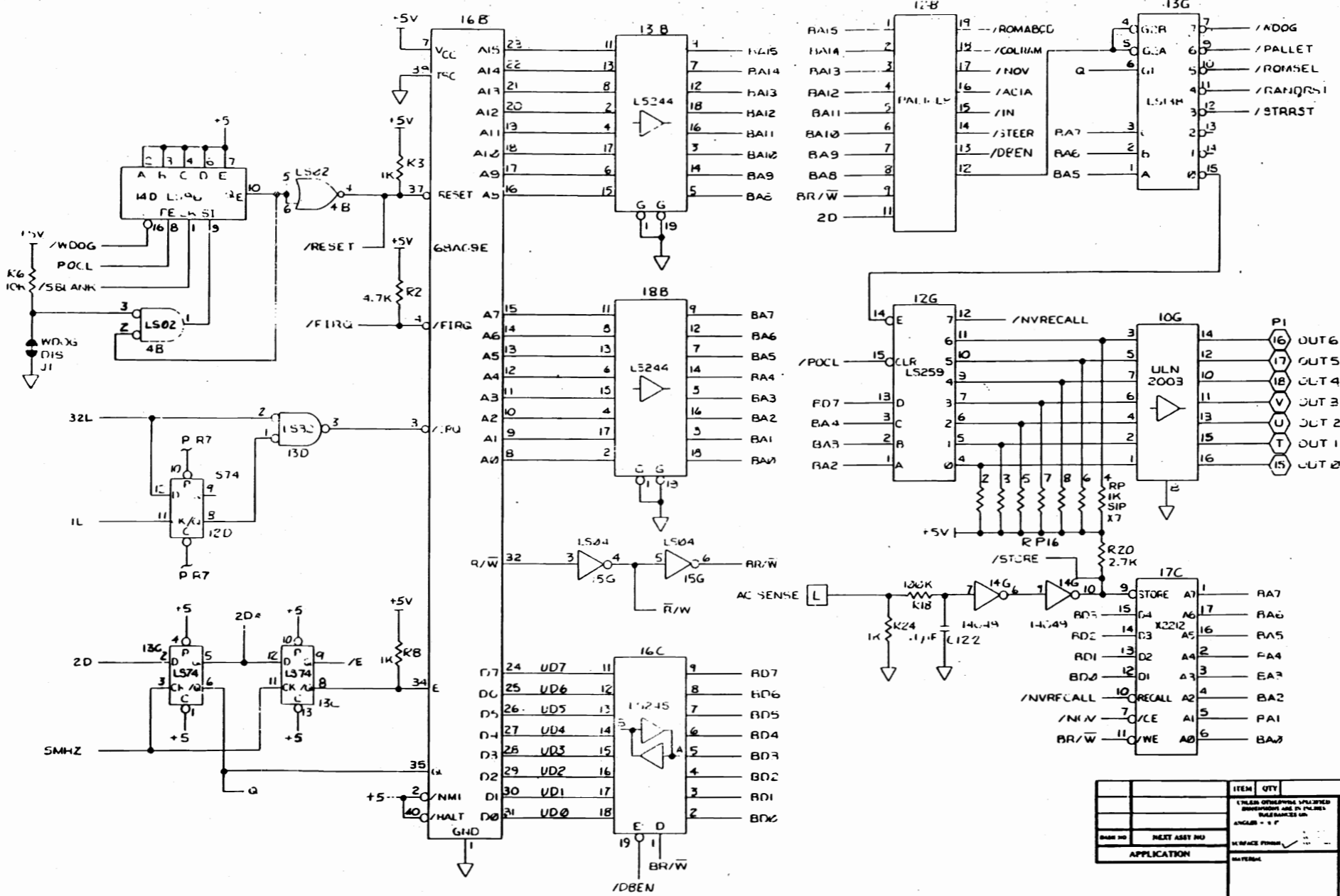
BYPASS
C1-C93
C106-C113
C121

Rel For Prod. JS 5/1/87

ITEM	QTY	DESCRIPTION/MATERIAL	P.N. REF
DO NOT SCALE DRAWING			
DATE BY		DATE	
NEXT REV NO		REV	
APPLICATION		PROJECT ENGINEER	
DESIGNER		CHECKED	
APP'D		E-CHECKED	
DATE		DATE	
SCALE		SCALE	

Bally / MIDWAY
TITLE
**SCHEMATIC DIAGRAM
SMUDGE**
DRAWING NO
D M051-003142104
SCALE NONE

REV	ECO NO.	REVISION DESCRIPTION	DATE	APPROVED



ITEM		QTY	DESCRIPTION/MATERIAL	P/N REF
<p>DO NOT SCALE DRAWING</p> <p>DATE BY DATE</p> <p>K.T. (02) 8-5-82</p>				
<p>REVISION NO.</p> <p>REVISION DATE</p>		<p>DATE</p> <p>BY</p>		
<p>APPLICATION</p>		<p>SCALE NONE SHEET 2 OF 9</p>		

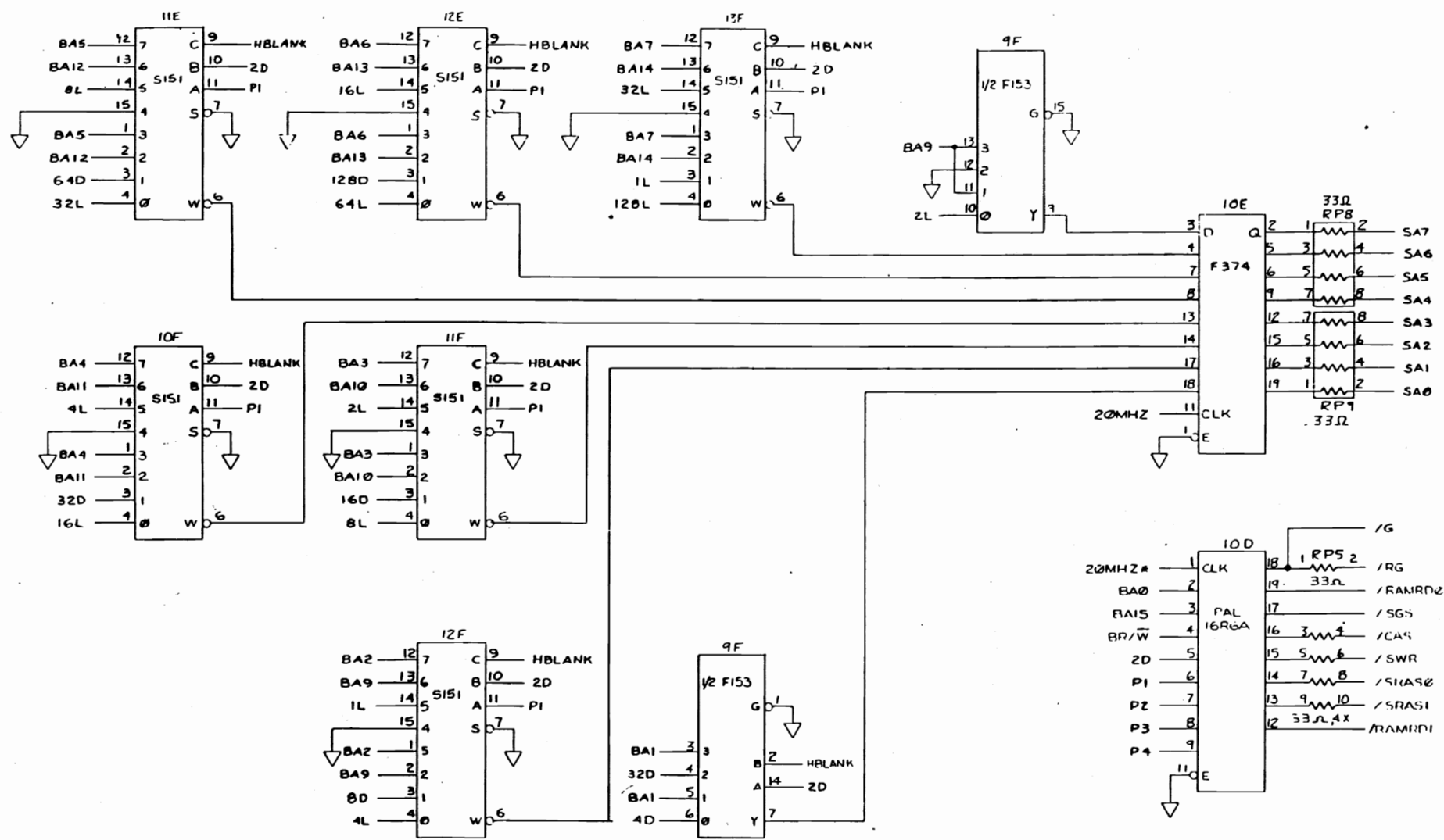
Rally / MIDWAY

TITLE
SCHEMATIC DIAGRAM
SMUDGE

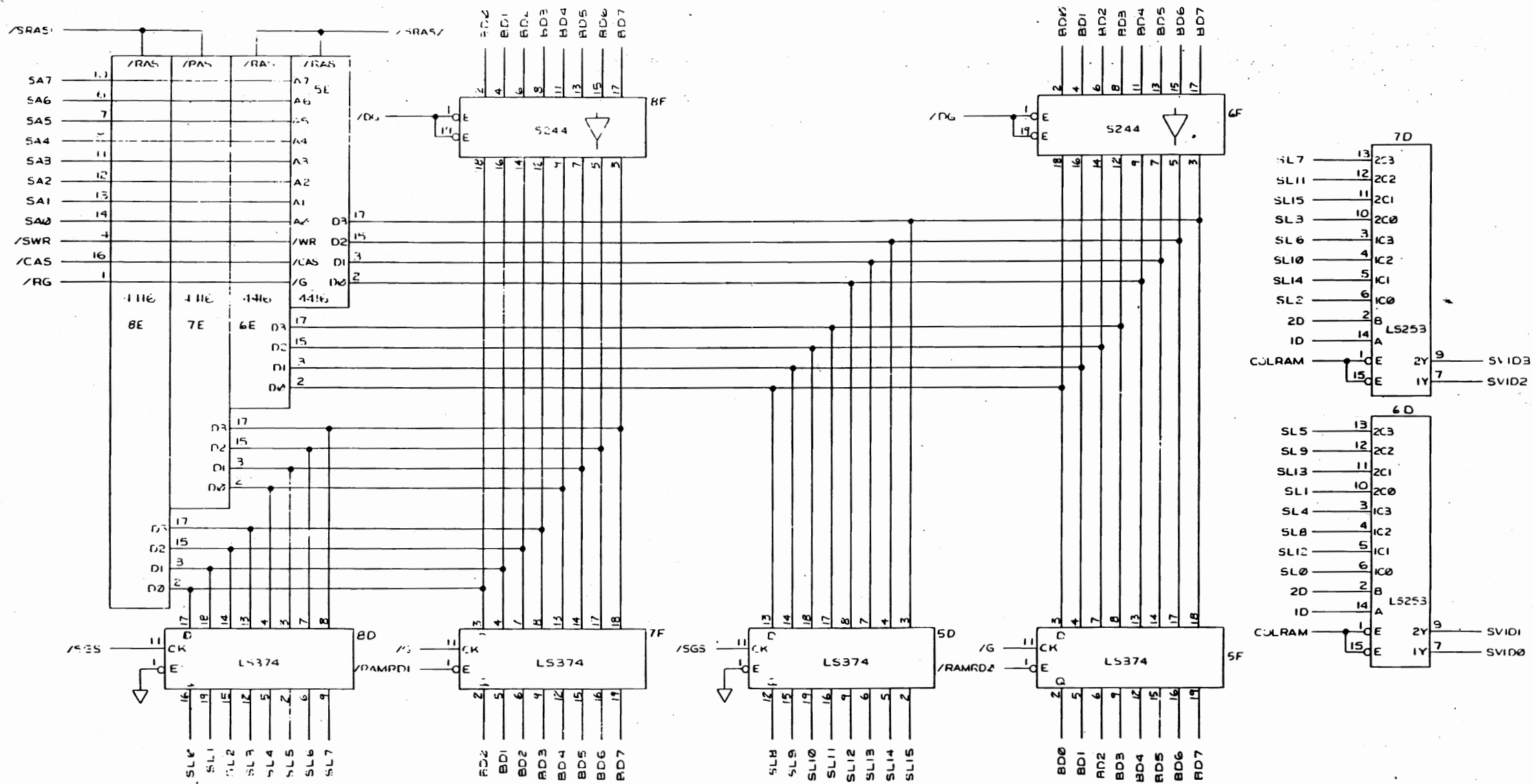
SIZE D **DRAWING NO.** M051-00114-A194

SCALE NONE **SHEET** 2 **OF** 9

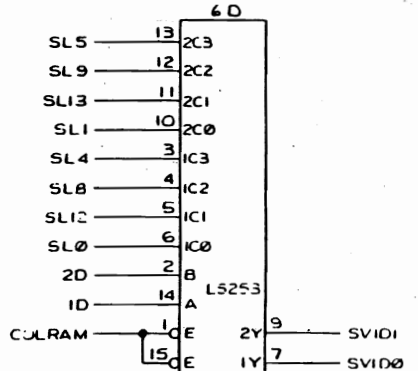
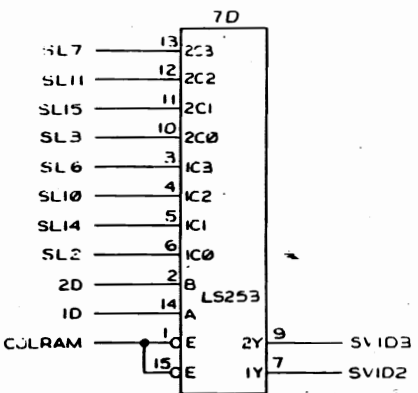
REV	BY	DATE	APP'D



ITEM	QTY	DESCRIPTION / MATERIAL	P/N REF
UNLESS OTHERWISE SPECIFIED DIMENSIONS ARE IN INCHES TOLERANCES ON: ANGLE = 0.1°			
DO NOT SCALE DRAWING		DATE	
DRAWN BY: M. J. ...		CHECKED	
ENGINER		DATE	
MFC ENGINER			
PROJECT ENGINER			
TITLE			
SCHEMATIC DIAGRAM SMUDGE			
SIZE	DRAWING NO.		
D	M051-00114-A194		
SCALE	NONE	SHEET	3 OF 5

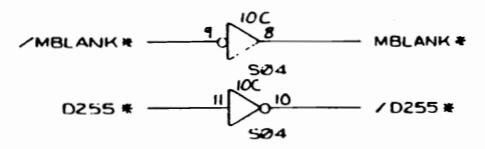
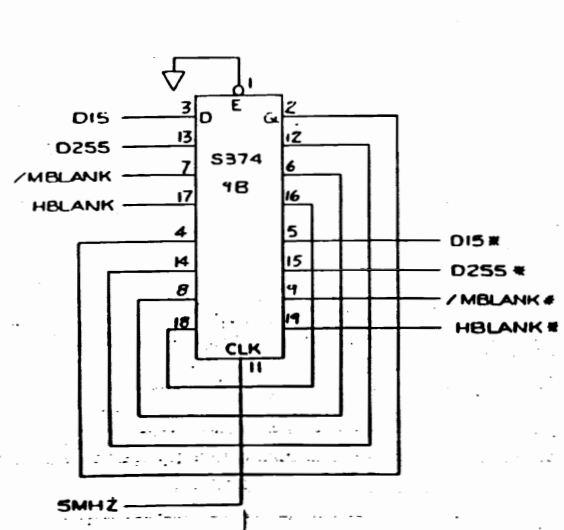
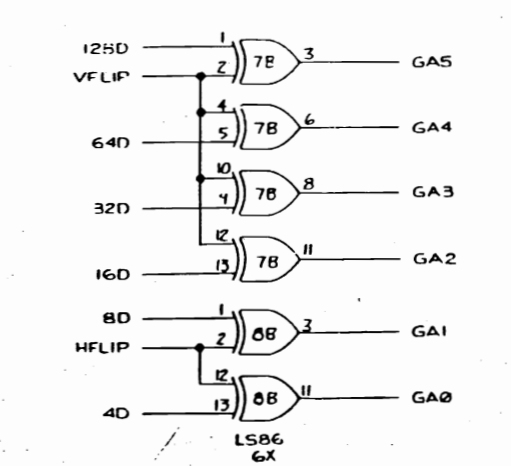
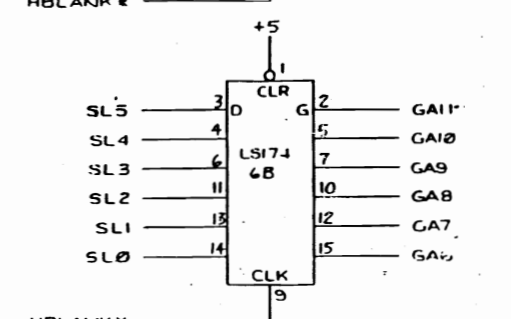
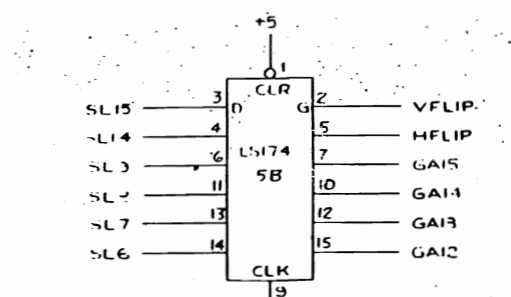
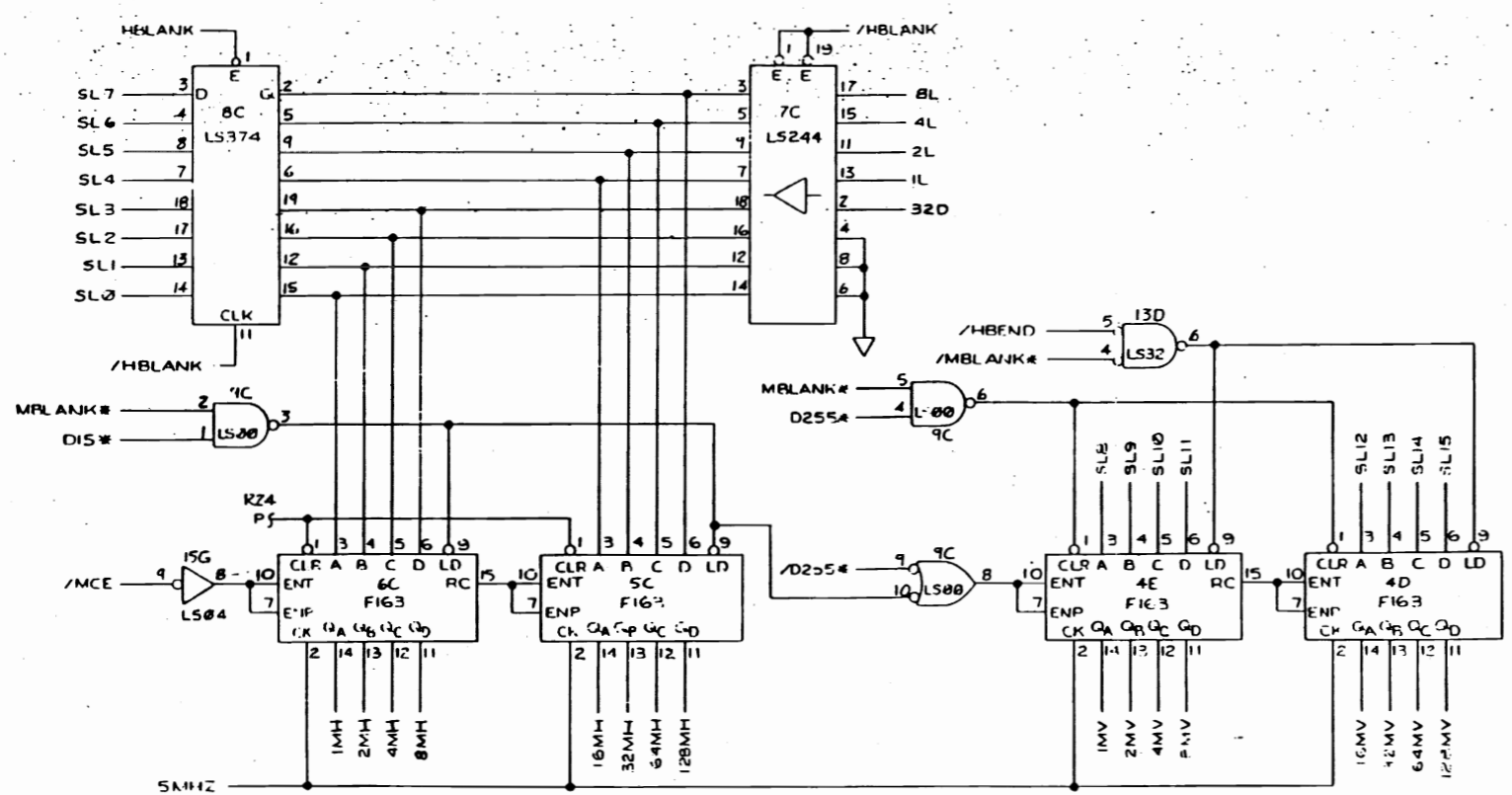


REV	REQ NO.	REVISION DESCRIPTION	DATE	APPROVED
-----	---------	----------------------	------	----------



ITEM	QTY	DESCRIPTION/MATERIAL	P/N REF
1/16" DIMENSIONS UNLESS SPECIFIED DIMENSIONS ARE IN INCHES FINISHES ON			
DRAW NO. NEXT ASST NO.		DRAWN BY DATE L. Y. COSTA 9-3-84	
APPLICATION		TITLE	
		SCHEMATIC DIAGRAM SMUDGE	
APPROVED		PROJECT ENGINEER DATE	
		SIZE: 3.5x5.5 (114x141) SCALE: 1:1	

REV	REV NO.	REVISION DESCRIPTION	DATE	APPROVED



ITEM	QTY	DESCRIPTION/MATERIAL	P/N REV

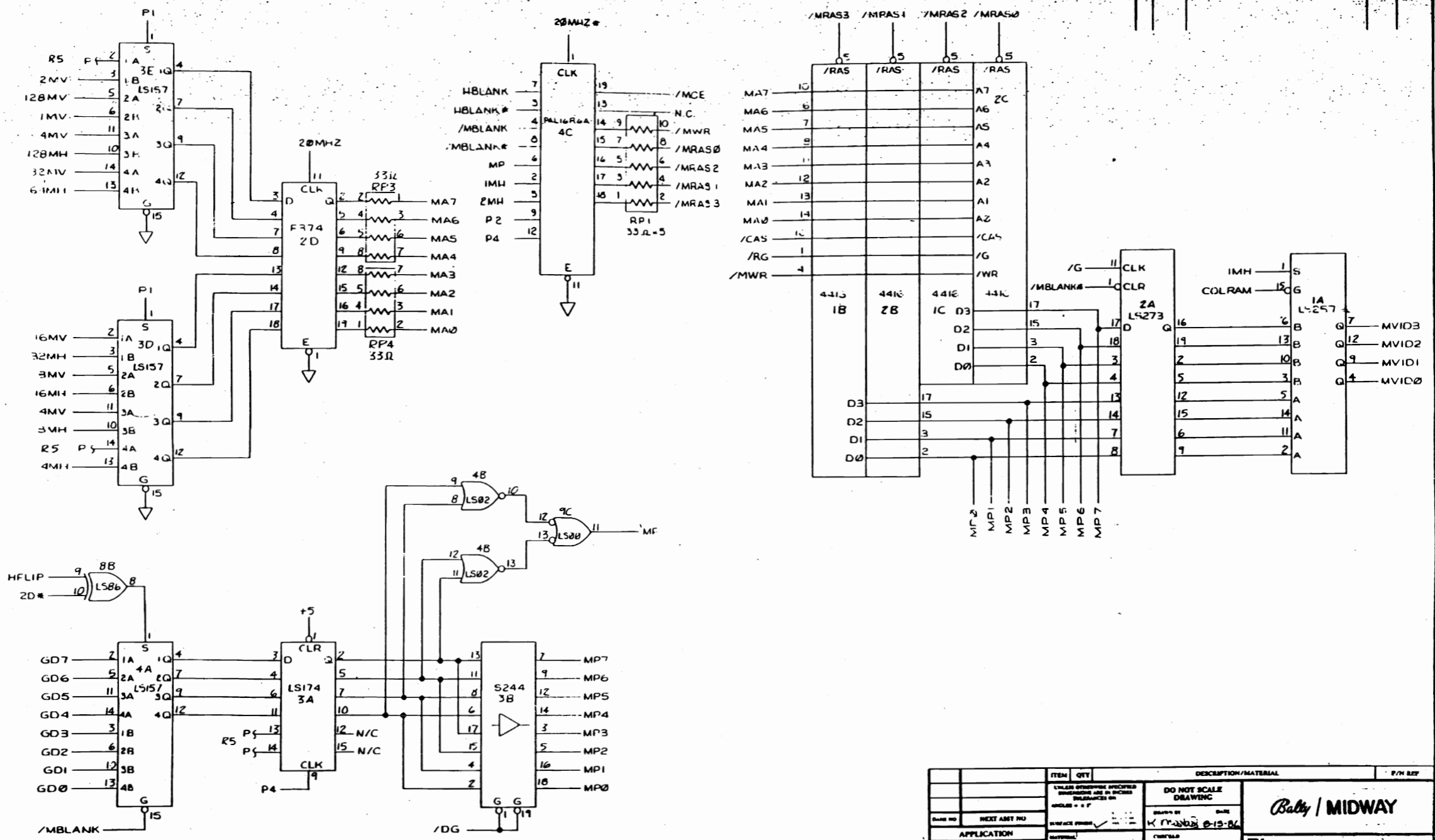
DO NOT SCALE DRAWING

Bally / MIDWAY

TITLE
SCHEMATIC DIAGRAM
SMUDGE

DRAWING NO.
D 10881-00114-A10

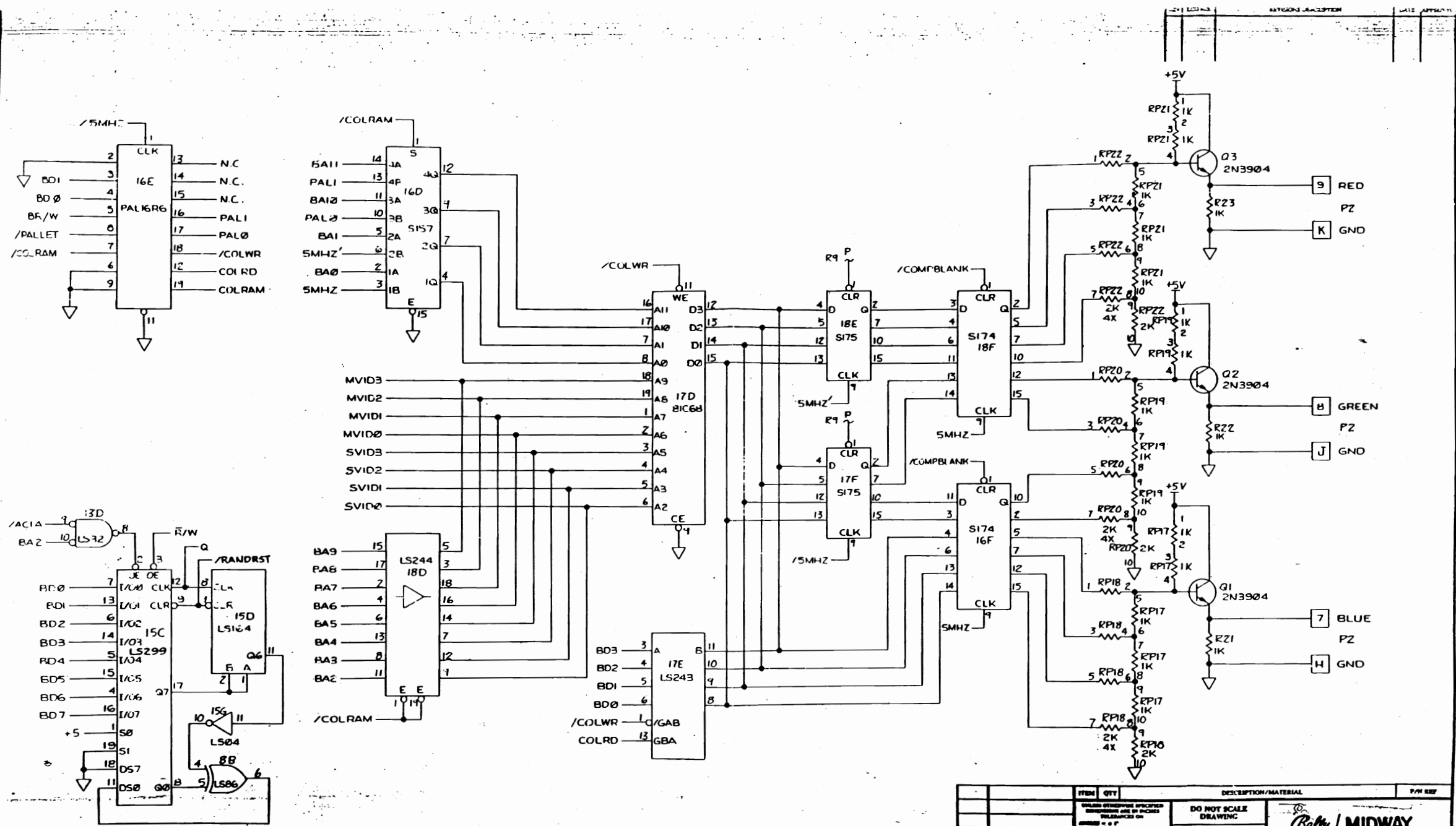
SCALE NONE **SHEET** 5 OF 9



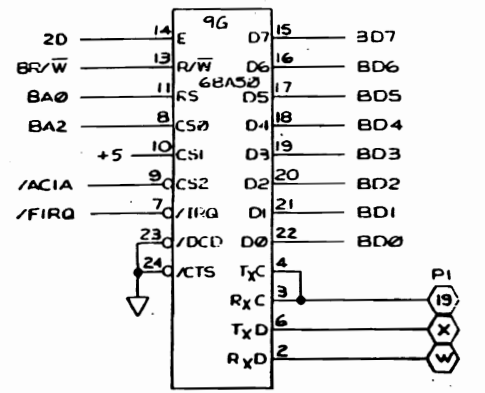
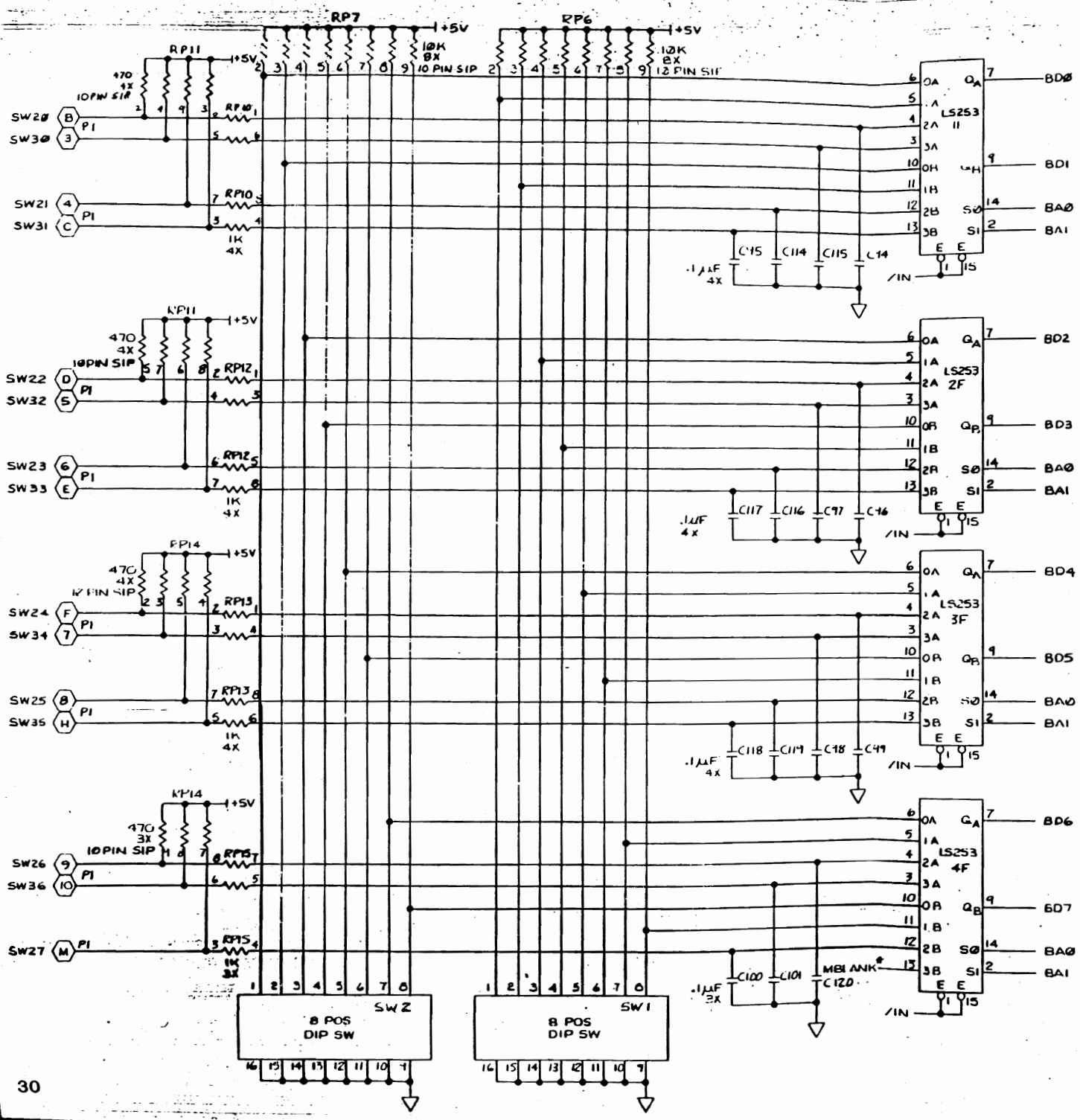
ITEM		QTY	DESCRIPTION/MATERIAL	P/N REF
UNLESS OTHERWISE SPECIFIED DIMENSIONS ARE IN INCHES DECIMALS ON				
DO NOT SCALE DRAWING				
DRAWN BY: W. [unclear] 0-15-86				
DATE: 0-15-86				
SCALE: NONE				
PROJECT ENGINEER				
MFG. ENGINEER				
CHECKED				
APPROVED				
APPLICATION				
MATERIAL				
FORM				

Bally / MIDWAY
SCHMATIC DIAGRAM
SMUDGE

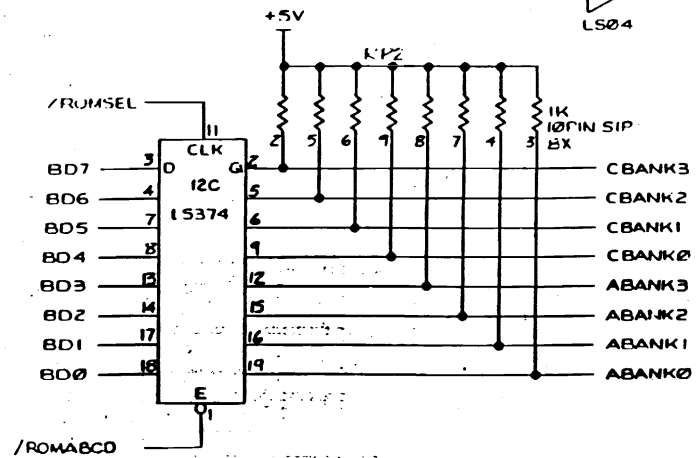
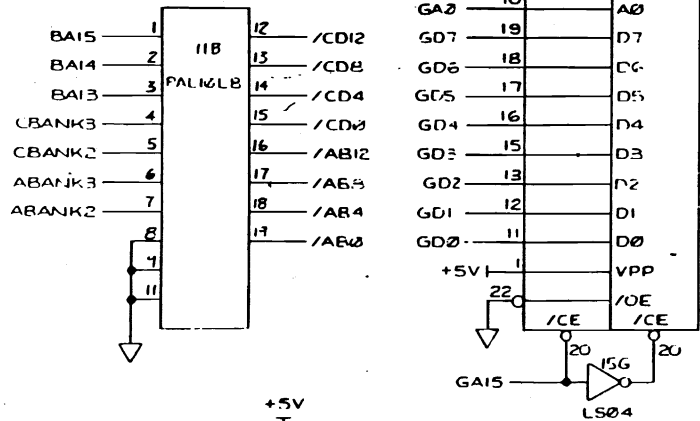
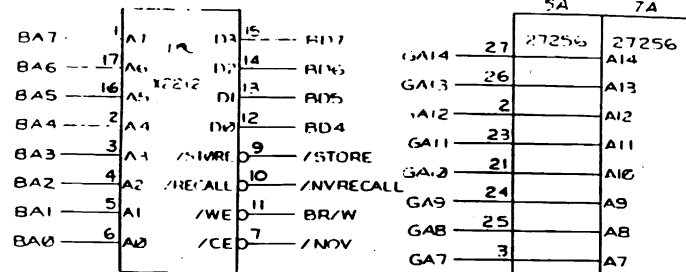
DATE: 0-15-86
 PROJECT: M061-GD1145-Y04
 SCALE: NONE



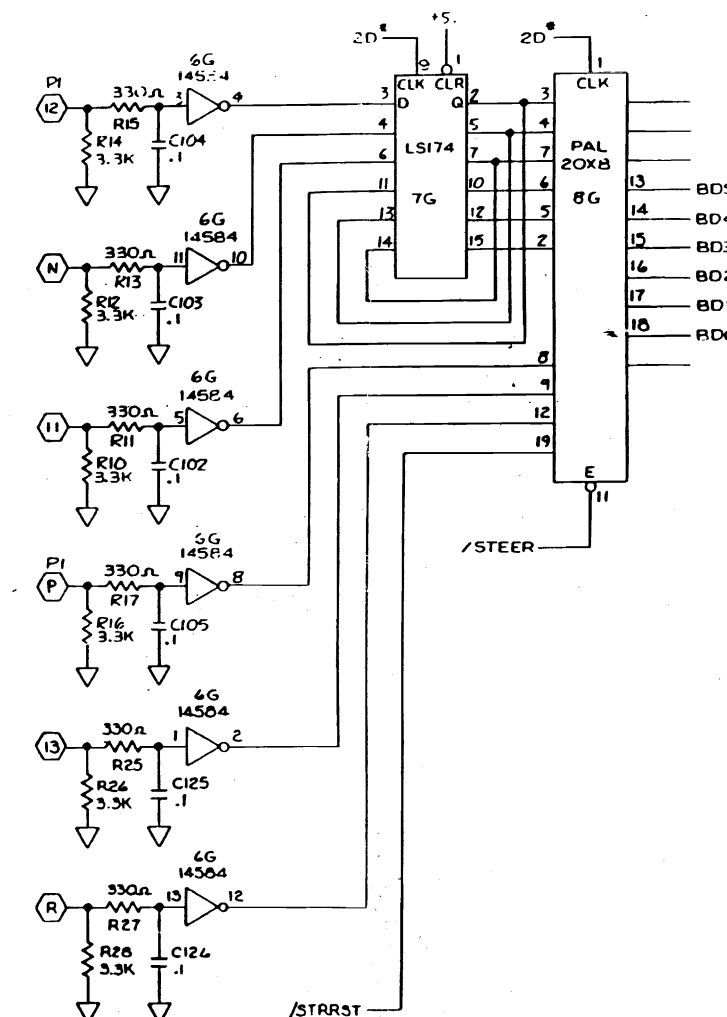
ITEM	QTY	DESCRIPTION/MATERIAL	P/W REF	
DO NOT SCALE DRAWING				
<small>UNLESS OTHERWISE SPECIFIED DIMENSIONS ARE IN INCHES TOLERANCES ON</small> <small>FINISHES</small>		<small>DATE</small> <small>BY</small>		
<small>APPLICATION</small>		<small>CHECKED</small> <small>ENGINEER</small> <small>DATE</small>		<small>TITLE</small> SCHEMATIC DIAGRAM SMUDGE
<small>DATE</small> <small>PROJECT NO.</small>		<small>DATE</small> <small>BY</small>		<small>SCALE</small> NONE <small>FIG.</small> 7
<small>PROJECT ENGINEER</small>		<small>DATE</small> <small>BY</small>		<small>DRAWING NO.</small> D M081-00114-A194



ITEM		QTY	DESCRIPTION/MATERIAL	P/N REF
<small>UNLESS OTHERWISE SPECIFIED DIMENSIONS ARE IN INCHES DECIMALS ONLY</small>				
<small>DO NOT SCALE DRAWING</small>		<small>DATE: 8-15-66</small>		
<small>DESIGNED BY: A. J. GARDNER</small>		<small>CHECKED:</small>		
<small>APPROVED BY:</small>		<small>DATE:</small>		
<small>APPLICATION:</small>		<small>WPC. ENGINEER:</small>		
<small>PROJECT:</small>		<small>PROPERTY OFFICE:</small>		
Bally / MIDWAY				<small>SCALE: NONE</small>
TITLE SCHEMATIC DIAGRAM SMUDGE				<small>SIZE: DRAWING: 11x17</small> <small>NO: M081-00114-A194</small> <small>SCALE: NONE</small>

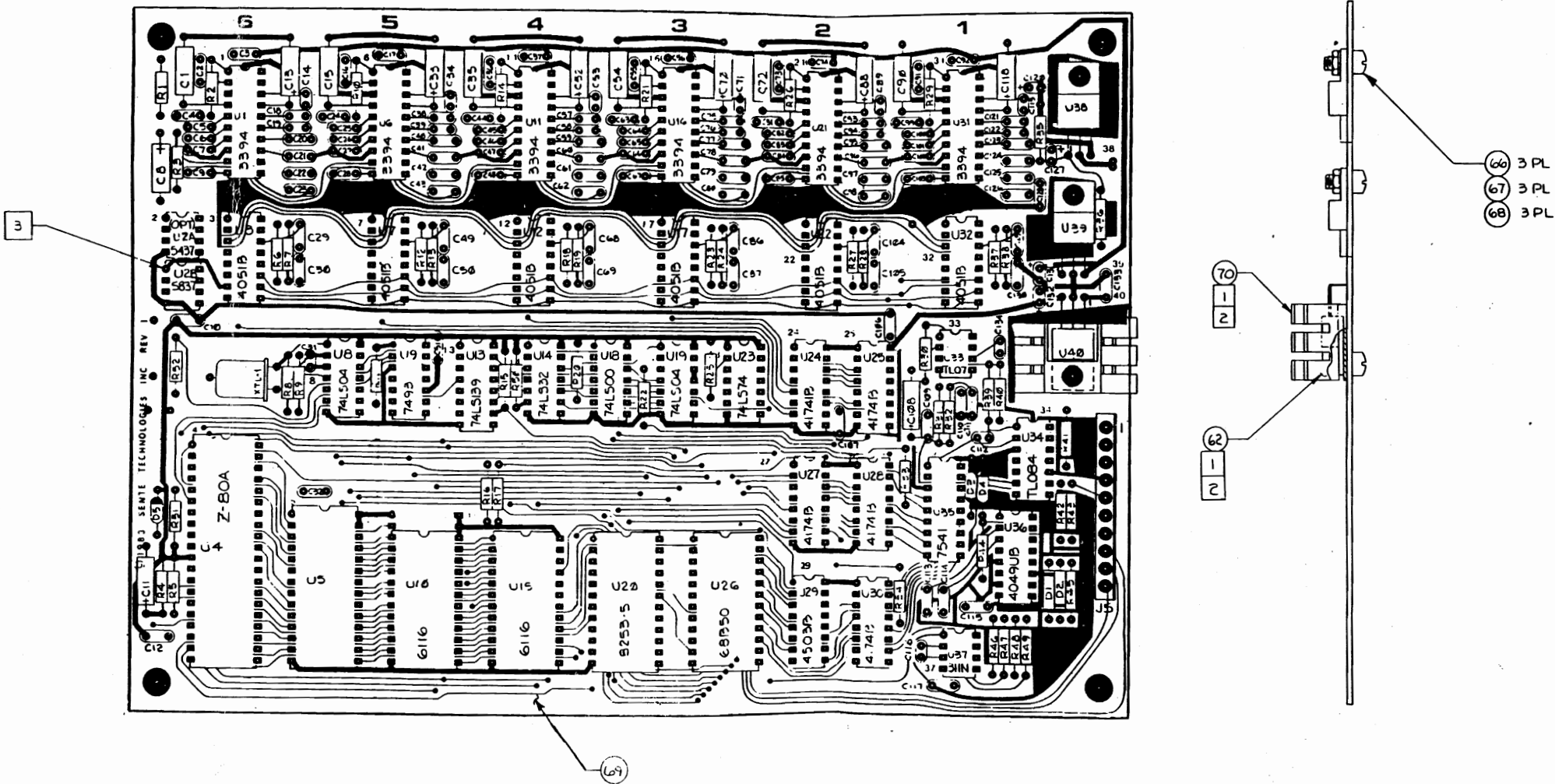


	8A	9A	11A	12A	13A	15A	16A	18A
CBANK1	27	27256	27256	27256	27256	27256	27256	27256
CBANK0	26							
ABANK1	27	27256	27256	27256	27256			
ABANK0	26							
BA12	2							
BA11	23							
BA10	21							
BA9	24							
BA8	25							
BA7	3							
BA6	4							
BA5	5							
BA4	6							
BA3	7							
BA2	8							
BA1	9							
BA0	10							
BD7	19							
BD6	18							
BD5	17							
BD4	16							
BD3	15							
BD2	13							
BD1	12							
BD0	11							
+5V								
/CE	20	20	20	20	20	20	20	20
/AB2								
/AB4								
/AB3								
/AB12								
/CD0								
/CD4								
/CD1								
/CD2								
VPP								
/OE								



ITEM	QTY	DESCRIPTION/MATERIAL	P/N REF
		UNLESS OTHERWISE SPECIFIED DIMENSIONS ARE IN INCHES TOLERANCES ON: ANGLES ± 0.1°	
		DO NOT SCALE DRAWING	
DATE	DATE	DRAWN BY	
		6-16-94	
APPLICATION		CHECKED	
		ENGINEER	
		MPC ENGINEER	
		PROJECT ENGINEER	
		TITLE	
		SCHEMATIC DIAGRAM SMUDGE	
SIZE	DRAWING NO.		
D	M051-00314-A194		
SCALE	SHEET	9	9

SYM	REV	ECO NO.	REVISIONS DESCRIPTION	DATE	APPROVED
	1		PROTOTYPE		
	A	1892	PRODUCTION RELEASE		
	A	1900	ADDED NOTE 3, REVERSED POLARITY OF CB.		
	B	1924	ADDED 2 HEATSINKS, ITEMS 62 & 70	12/30	W.L.



- NOTES:
- 1 FASTEN U40 (ITEM 53) TO HEATSINK (ITEM 62), HEATSINK (ITEM 70), AND PCB (ITEM 69), WITH HARDWARE (ITEM 66, 67 & 68) BEFORE SOLDERING TO PCB.
 - 2 APPLY HEATSINK COMPOUND TO HEATSINK (ITEM 62) & HEATSINK (ITEM 70) PRIOR TO MOUNTING.
 - 3 SHORT PIN 1 TO PIN 2 OF U2B, AND MOUNT CE AS SHOWN TO USE AMI 2688 (5837 EQUIV).

RELEASED BY: WES 12/35 MOS1-00C52-8015

ITEM	DESCRIPTION/MATERIAL	QTY
10	000-8011-10	
	USED ON	

UNLESS OTHERWISE SPECIFIED DIMENSIONS ARE IN INCHES TOLERANCES ON		DO NOT SCALE DRAWING	
ANGLES - 3°			
SURFACE FINISH	10 11 12 13 14 15 16 17 18 19 20 21 22 23 24 25 26 27 28 29 30 31 32 33 34 35 36 37 38 39 40 41 42 43 44 45 46 47 48 49 50 51 52 53 54 55 56 57 58 59 60 61 62 63 64 65 66 67 68 69 70 71 72 73 74 75 76 77 78 79 80	DATE 9-8-85	
	SEE L/M	ENGINEER L. Forté 11/14/85	1280 Amwood Ave. Sunnyvale CA 95089
		CHECKED	TITLE PCB ASSEMBLY, AUDIO, 6VB
		MEG. ENGINEER	DATE 11/2/85
SIZE	DRAWING NO. 1006-800210	REV. 1	

PCB ASSEMBLY, AUDIO 6VB
(006-8002-10-08) (M051-00C52-B015)
PARTS LIST - SHEET 2 of 4

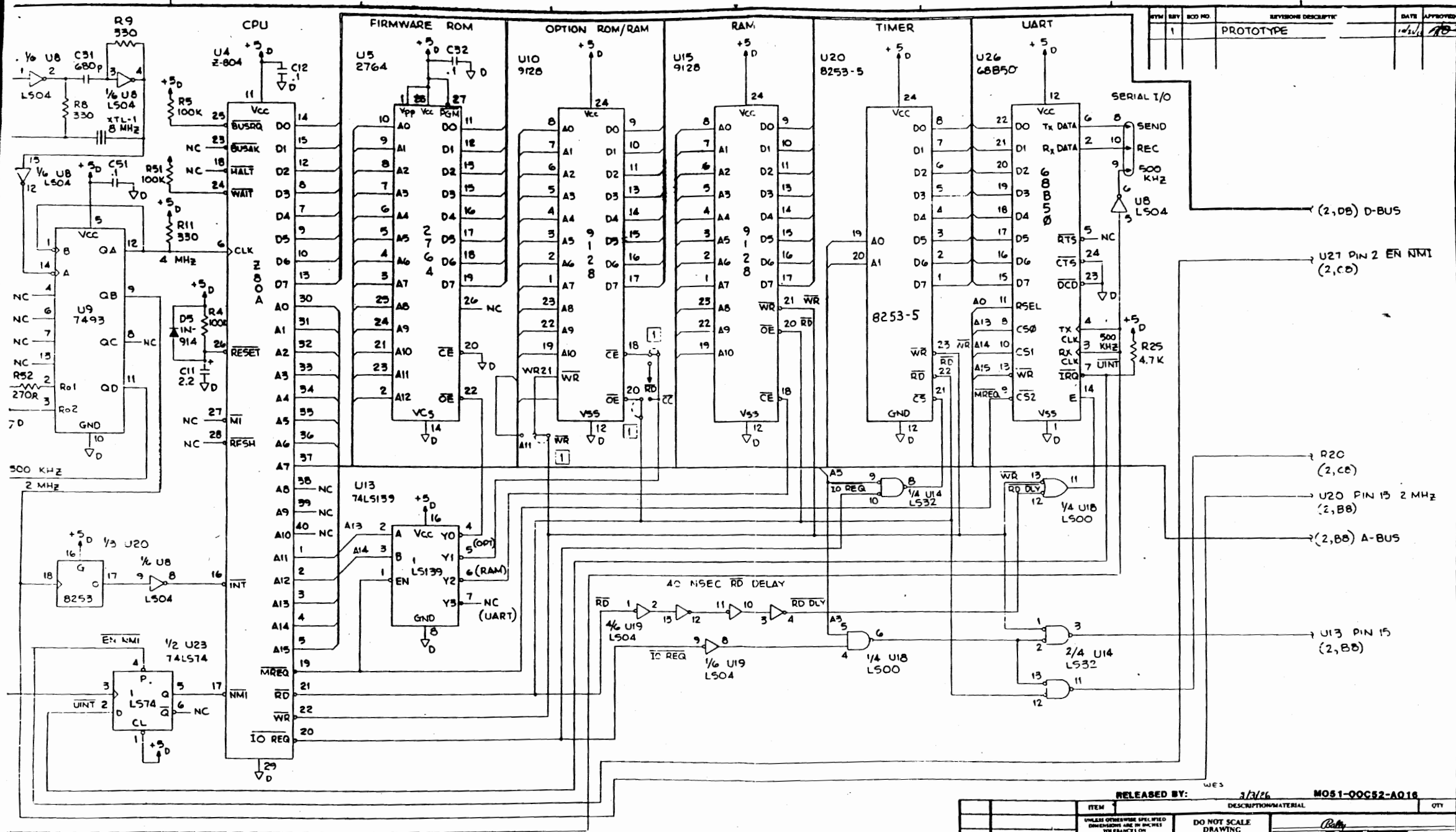
ITEM	QTY.	PART NO.	REFERENCE	DESCRIPTION
1	2	400-1001-01	R1,R44	RES,CF,1/4W,5%,1K OHM
2	1	400-6802-01	R3	RES,CF,1/4W,5%,68K OHM
3	5	400-1003-01	R4,5,42,45,51	RES,CF,1/4W,5%,100K OHM
4	12	400-1004-01	R6,7,12,13	RES,CF,1/4W,5%,1.0M OHM
5	3	400-3300-01	R8,9,11	RES,CF,1/4W,5%,330 OHM
6	6	400-2001-01	R15,16,17,20,22,50	RES,CF,1/4W,5%,2.0K OHM
7	3	400-4701-01	R25,41,46	RES,CF,1/4W,5%,4.7K OHM
8	2	400-4702-01	R48,49	RES,CF,1/4W,5%,47K OHM
9	1	400-3307-01	R43	RES,CF,1/4W,5%,33 OHM
10	1	401-1005-01	R47	RES,CC,1/4W,5%,10M OHM
11	6	450-3013-01	R2,10,14,21,26,29	RES,MF,1/8W,1%,301K OHM
12	1	450-1962-01	R40	RES,MF,1/8W,1%,19.6K OHM
13				
14	1	450-2002-01	R30	RES,MF,1/8W,1%,20.0K OHM
15	1	450-4021-01	R31	RES,MF,1/8W,1%,4.02K OHM
16	1	450-1001-01	R32	RES,MF,1/8W,1%,1.00K OHM
17	1	450-1210-01	R35	RES,MF,1/8W,1%,121 OHM
18	1	450-4990-01	R36	RES,MF,1/8W,1%,499 OHM
19	1	450-1002-01	R39	RES,MF,1/8W,1%,10.0K OHM
20				
21	12	330-0005-01	C14,18,34,38,53, 57,71,75,89,93,119, 121	CAP,PES,RAD,0.001UF, 100V,10%
22	6	330-0009-01	C1,15,35 54,72,90	CAP,PST,AXL,0.002UF, 100V,5%
23	48	330-0006-01	C2,5,6,7,9,16,23,25, 26,27,28,29,30,36,43, 45,46,47,48,49,50,55, 62,64,65,66,67,68,69, 73,80,82,83,84,85,86, 87,91,98,100,101,102, 103,104,105,126,129, 130	CAP,PES,RAD,0.01UF,100V, 10%
24	20	330-0007-01	C20,21,22,40,41,42, 59,60,61,77,78,79,95, 96,97,113,114,123, 124,125	CAP,PES,RAD,0.033UF,100V 10%
25	3	300-0011-01	C112,116,134	CAP,CER,RAD,33PF,50V,10%
26	7	300-0012-01	C19,31,39,58,76,94, 122	CAP,CER,RAD,680PF,50V,5%
27	25	300-0002-01	C3,4,10,12,17,24,32, 37,44,51,56,63,74,81, 92,99,106,107,109, 110,111,115,117,128, 133	CAP,CER,RAD,0.1UF,50V,20%
28	3	310-0012-01	C127,131,132	CAP,TAN,RAD,1.0UF,25V,20%
29	3	340-0016-01	C8,11,108	CAP,ELC,AXL,2.2UF,63V,50/ 10%

PCB ASSEMBLY, AUDIO 6VB
(006-8002-10-08) (M051-00C52-B015)
PARTS LIST - SHEET 3 of 4

ITEM	QTY.	PART NO.	REFERENCE	DESCRIPTION
30	6	340-0017-01	C13,33,52,70,88,118	CAP,ELC,AXL,10UF,35V,50/ 10%
31	6	260-0033-01	U1,6,11,16,21,31	IC,SP,SOUND,SYNTH,CEM, 3394
32	5	210-0007-01	U24,25,27,28,30	IC,DIG,CMOS,4174B,HEX D F/F
33	6	210-0006-01	U3,7,12,17,22,32	IC,DIG,CMOS,4051B,8 CHAN MUX
34	1	210-0005-01	U36	IC,DIG,CMOS,4049UB,HEX INVERT
35	1	260-0029-01	U34	IC,LIN,OPAMP,TL084,QUAD, JFET
36	1	260-0031-01	U35	IC,SP,DAC 12 BIT, 7541
37	1	260-0007-01	U37	IC,LIN,COMP,LM311N
38	1	260-0037-01	U33	IC,LIN,OPAMP,TL071,JFET, INPUT
39	1	210-0008-01	U29	IC,DIG,CMOS,4503B,HEX TS BUFFER
40	1	260-0040-01	U2	IC,SP,NOISE SOURCE MM5837
41	1	200-0039-01	U18	IC,DIG,TTL,74LS00,NAND GATE
42	2	200-0041-01	U8,19	IC,DIG,TTL,74LS04,HEX INVERTER
43	1	200-0043-01	U14	IC,DIG,TTL,74LS32,OR GATE
44	1	200-0044-01	U23	IC,DIG,TTL,74LS74,DUAL D F/F
45	1	200-0074-01	U9	IC,DIG,TTL,7493,4 BIT COUNT
46	1	200-0049-01	U13	IC,DIG,TTL,74LS139,2-4 DECODER
47	1	250-0007-01	U4	IC,DIG,MPU,2-80A
48				
49	2	240-0005-01	U10,15	IC,DIG,RAM,6116,2KX8, 200NS
50	1	250-0008-01	U20	IC,DIG,MPS,8253-5,TIMER
51	1	250-0010-01	U26	IC,DIG,MPS,68B50,ACIA .75MHZ
52	1	260-0027-01	U38	IC,LIN,VR,337T,VARIABLE NEG.
53	1	260-0028-01	U40	IC,LIN,VR,78M05CT,5V POS
54	1	260-0008-01	U39	IC,LIN,VR,7805,5V POS
55	4	100-0006-01	D1,2,3,4	DIO,GR,50MA,75PIV,IN34
56	1	550-0062-01	J5	CONN 10 PIN LOCKING 09-74-1101
57	4	510-0019-01	U10,15,20,26	SOCKET,IC,24P,LOW PRO
58	1	510-0020-01	U5	SOCKET,IC,28P,LOW PRO
59	1	510-0021-01	U4	SOCKET,IC,40P,LOW PRO
60	1	100-0002-01	D5	DIO,S1,10MA,75 PIV,IN914

PCB ASSEMBLY, AUDIO 6VB
 (006-8002-10-0B) (M051-00C52-B015)
 PARTS LIST - SHEET 4 of 4

ITEM	QTY.	PART NO.	REFERENCE	DESCRIPTION
61	1	820-0003-01	XTL-1	CRYSTAL 8.000MHZ
62	1	850-0007-01	HS-1	HEATSINK, THM-6070
63	1	310-0015-01	C120	CAP, TANT, RAD, 47UF, 15V, 20%
64	2	400-2703-01	R33, 34	RES, CF, 1/4W, 5%, 270K OHM
65	1	400-2700-01	R52	RES, CF, 1/4W, 5%, 270 OHM
66	3	801-0632-06-01		SCREW PAN HD-PHIL 6-32X 3/8
67	3	822-0006-00-01		WASHER SPLITLOCK 6
68	3	816-0632-00-01		NUT, HEX, SM PAT, 6-32
69	1	007-8002-01-0A		PCB, FAB, AUDIO, 6VB
70	1	850-0008-01	HS-2	HEATSINK, THM-6071



REV	REV NO	REV NO	DESCRIPTION	DATE	APPROVED
1			PROTOTYPE		

LAST USED REFERENCE DESIGNATORS: R52, C134, U40, D5, XT1-1, P1

RELEASED BY: *wes* 3/2/76 MOS1-QOC52-AQ18

ITEM	DESCRIPTION/MATERIAL	QTY

UNLESS OTHERWISE SPECIFIED DIMENSIONS ARE IN INCHES TOLERANCES ON ANGLES - 30°

DO NOT SCALE DRAWING

DESIGNED BY: *Ullrich* DATE: 9-21-85

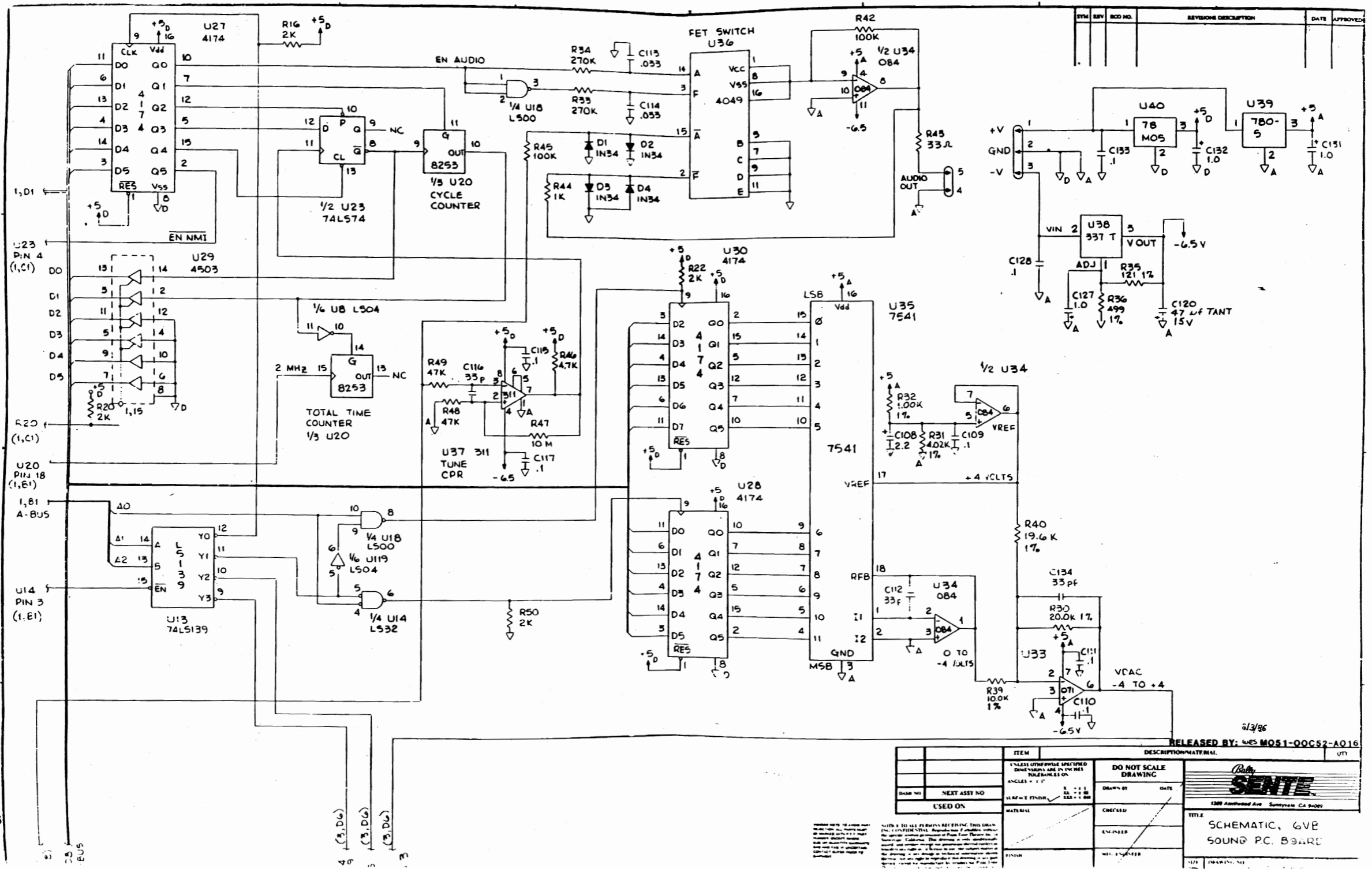
CHECKED: _____

ENGINEER: _____

MFC ENGINEER: _____

TITLE: SCHEMATIC, SOUND P.C. BOARD

SIZE: DRAWING NO: 008-8002-01



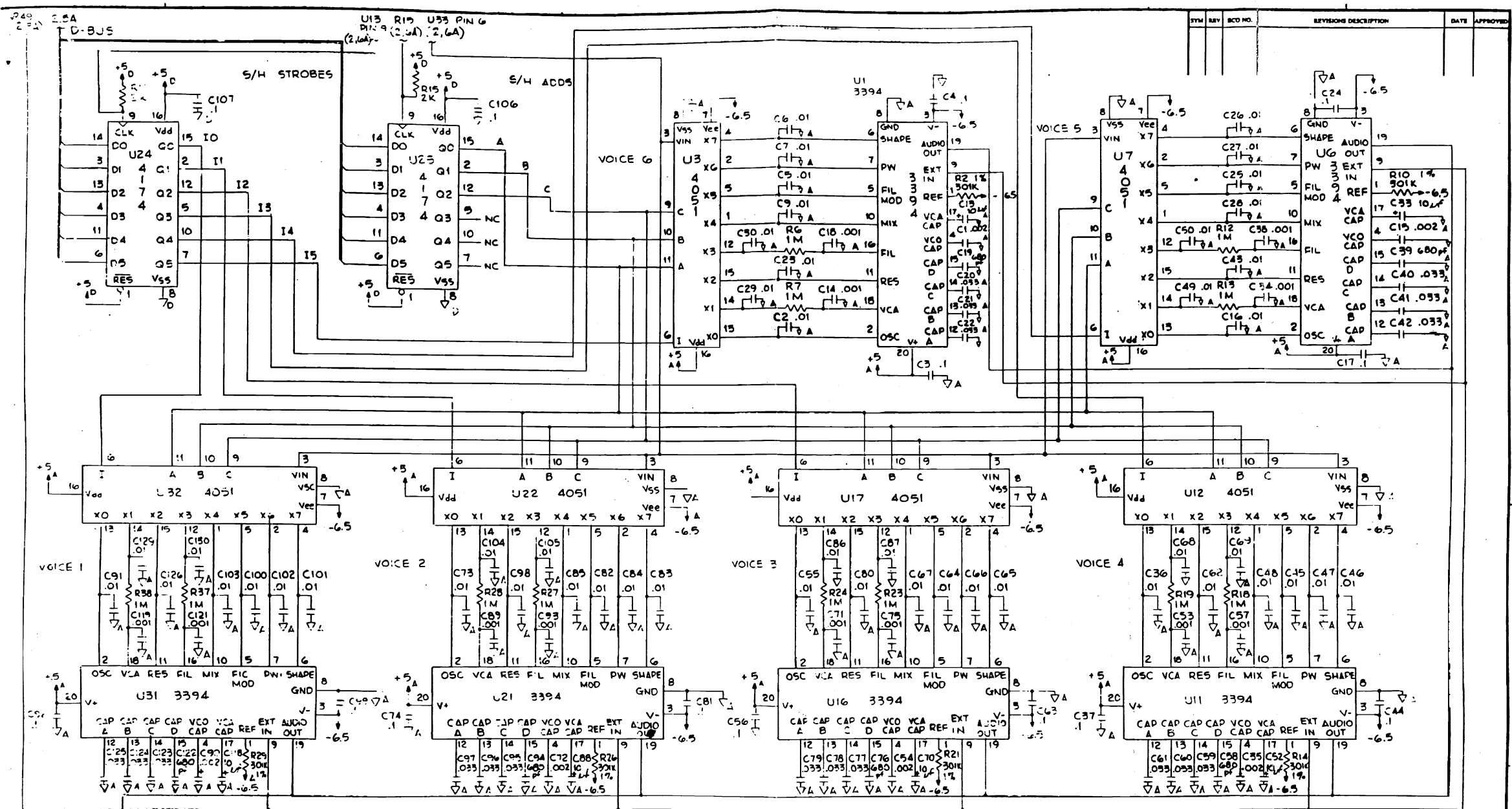
REV	REV NO.	REVISION DESCRIPTION	DATE	APPROVED

RELEASED BY: WES MOS1-00C52-A016

ITEM		DESCRIPTION/MATERIAL	
UNLESS OTHERWISE SPECIFIED DIMENSIONS ARE IN INCHES		DO NOT SCALE DRAWING	
ANGLES = 90°		DRAWN BY DATE	
DATE	NEXT ASSY NO	CHECKED	ENGINEER
USED ON			
MATERIAL		TITLE	
		SCHEMATIC, 6V8	
		SOUND PC BOARD	

2/3/86

NOTES TO ALL PERSONS RECEIVING THIS DRAWING: 1. UNLESS OTHERWISE SPECIFIED DIMENSIONS ARE IN INCHES. 2. THIS DRAWING IS THE PROPERTY OF SENTE CORPORATION. IT IS TO BE KEPT IN CONFIDENCE AND NOT TO BE REPRODUCED OR TRANSMITTED IN ANY FORM OR BY ANY MEANS, ELECTRONIC OR MECHANICAL, INCLUDING PHOTOCOPYING, RECORDING, OR BY ANY INFORMATION STORAGE AND RETRIEVAL SYSTEM. 3. ALL RIGHTS ARE RESERVED BY SENTE CORPORATION.



REV	REV	REV NO	REVISIONS DESCRIPTION	DATE	APPROVED

WES
RELEASED BY: 3/3/6

ITEM	DESCRIPTION/MATERIAL	QTY

DO NOT SCALE DRAWING

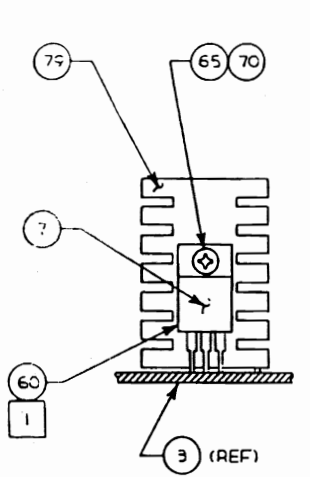
DATE	DATE

1200 Amphlett Ave. Sunnyvale, CA 94089

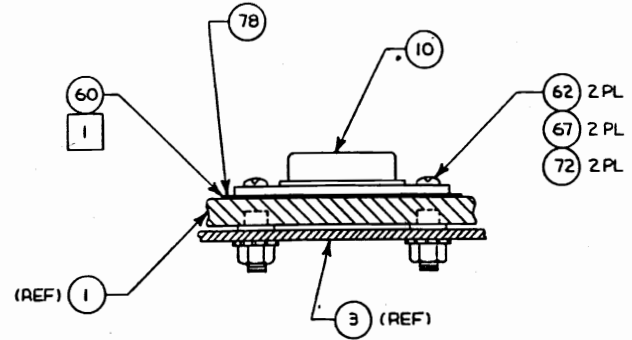
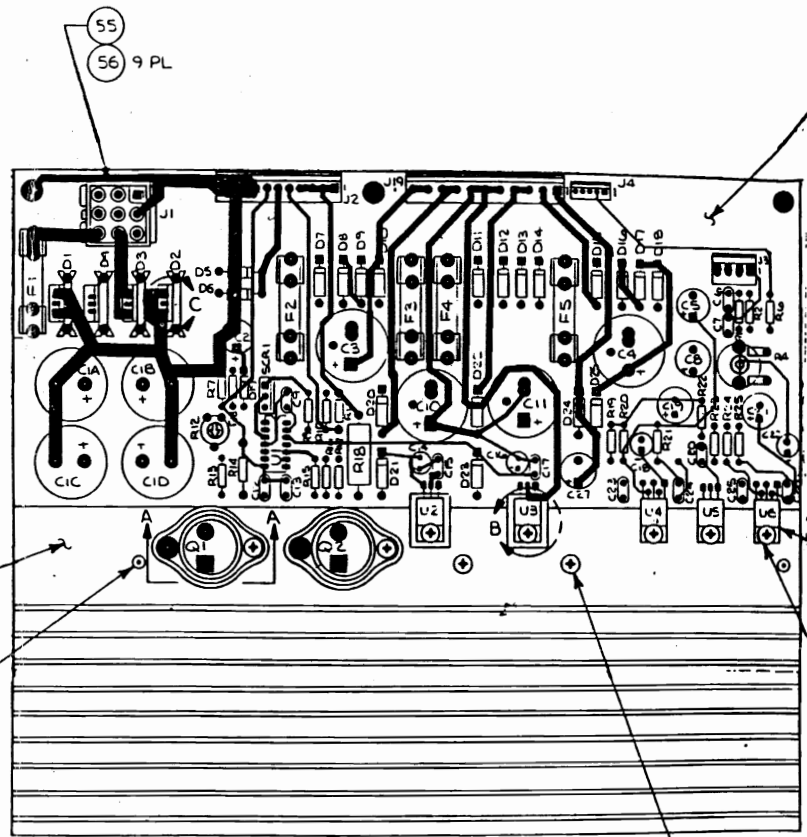
TITLE: SCHEMATIC, SOUND PC BOARD

DRAWING NO: 104-2002-01

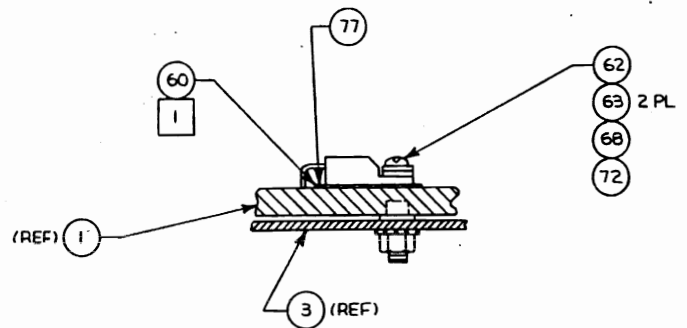
SYM	REV	ECO NO.	REVISIONS DESCRIPTION	DATE	APPROVED
	B	1998	RELEASED REDESIGNED PCB		



DETAIL C
TYPICAL 4 PL (D1-D4)
SCALE: 2/1



VIEW A-A
TYPICAL 2 PL (Q1, Q2)
SCALE: 2/1



DETAIL B
TYPICAL 2 PL (U2, U3)
SCALE: 2/1

NOTES: UNLESS OTHERWISE SPECIFIED

- 1 APPLY HEATSINK COMPOUND (ITEM 60) ON BOTH SIDES OF INSULATOR (ITEM 78) AT Q1 AND Q2, AND ON BOTH SIDES OF INSULATOR (ITEM 77) AT U2 AND U3. APPLY BETWEEN HEATSINK AND COMPONENT AT U4, U5, U6, D1, D2, D3 AND D4.

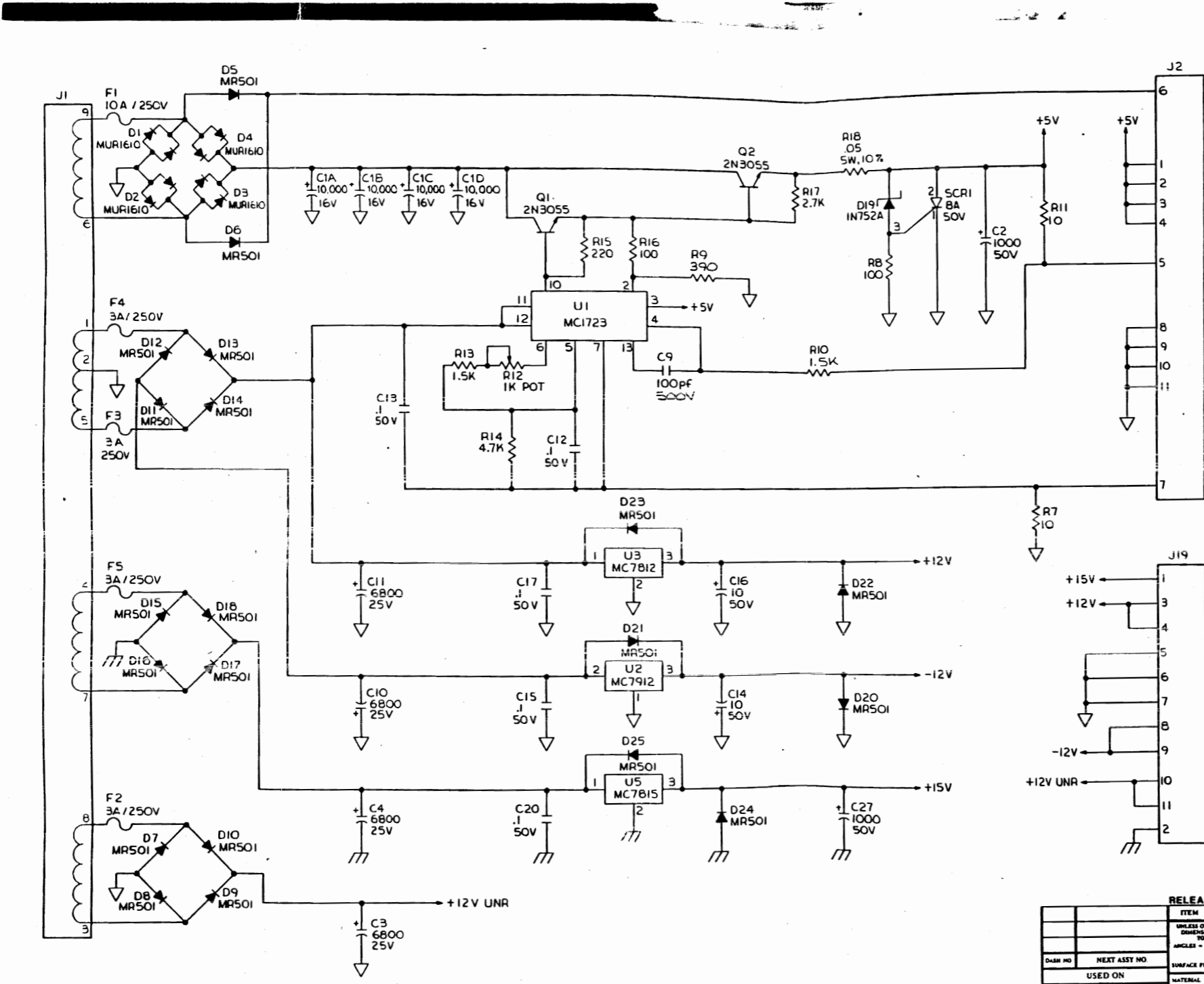
RELEASED BY: WES 8/3/86		MO51-OOC52-BO17	
ITEM	DESCRIPTION/MATERIAL	QTY	
10	000-8011-10		
DASH NO	NEXT ASSY NO		
USED ON			
UNLESS OTHERWISE SPECIFIED DIMENSIONS ARE IN INCHES TOLERANCES ON		DO NOT SCALE DRAWING	
ANGLES = 2°		DRAWN BY DATE	
SURFACE FINISH 2X = .01 3X = .006		L. PERCIVAL 9/13/84	
MATERIAL		CHECKED L. FORTE 9/19/84	
SEE L/M		ENGINEER	
FINISH		MFG ENGINEER	
TITLE		1280 Ardwood Ave Sunnyvale, CA 94089	
PCB ASSY, LINEAR POWER SUPPLY		DATE DRAWING NO	
		D 006-8008-10-02 REV 1	

PCB ASSEMBLY, LINEAR POWER SUPPLY
(006-8009-10-0B) (M051-00C52-B017)
PARTS LIST - SHEET 2 of 3

ITEM	QTY.	PART NO.	REFERENCE	DESCRIPTION
1	1	001-8076-01-0B		HEATSINK,E-368/#5555
2				
3	1	007-8009-10-0B		PCB FAB, LINEAR PWR SPLY
4				
5	20	100-0008-01	D5-D18,D20-D25	D10,S1,3A,100 PIV,MR501
6				
7	4	105-0004-01	D1-D4	D10,RECTIFIER,16A, MUR1610 CT
8	1	110-0004-01	D19	D10,ZEN,5.6V,20MA,1N752A
9				
10	2	120-0004-01	Q1,Q2	XSTR,S1,NPN,2N3055
11				
12	1	160-0004-01	SCR1	SCR,8A,50V,C122F1
13				
14	2	260-0039-01	U4,U6	IC,LIN,SP,TDA2002,AUD AMP
15	1	260-0042-01	U2	IC,LIN,VR,MC7912,-12V, 3 POS
16	1	260-0043-01	U3	IC,LIN,VR,MC7812,+12V, 3 POS
17	1	260-0044-01	U5	IC,LIN,VR,MC7815,+15V, 3 POS
18	1	260-0045-01	U1	IC,LIN,VR,MC1723,S1,MONO
19				
20	9	300-0002-01	C6,C7,C12,C13,C15,C17, C20,C23,C25	CAP,CER,RAD,.1MF,50V
21	2	300-0001-01	C24,C26	CAP,CER,RAD,.022UF,50V, 20%
22	1	320-0007-01	C9	CAP,MIC,RAD,100PF,500V, 5%
23				
24	4	340-0026-01	C14,C16,C18,C22	CAP,ELC,RAD,10MF,50V,20%
25	2	340-0027-01	C19,C21	CAP,ELC,RAD,470MF,16V, -10%,+50%
26	4	340-0028-01	C1A,C1B,C1C,C1D	CAP,ELC,RAD,10.000MF,16V +10%,-30%
27	4	340-0029-01	C3,C4,C10,C11	CAP,ELC,RAD,6800MF,25V, -10%,+30%
28	4	340-0030-01	C2,C5,C8,C27	CAP,ELC,RAD,1000MF,50V, 20%
29				
30	2	400-1000-01	R8,R16	RES,CF,1/4W,5%,100 OHM
31	2	400-1008-01	R1,R2	RES,CF,1/4W,5%,1 OHM
32				
33	2	400-1007-01	R7,R11	RES,CF,1/4W,5%,10 OHM
34				
35	1	400-1501-01	R13,R10	RES,CF,1/4W,5%,1.5K OHM
36				
37	1	400-2200-01	R15	RES,CF,1/4W,5%,220 OHM

PCB ASSEMBLY, LINEAR POWER SUPPLY
(006-8009-10-0B) (M051-00C52-B017)
PARTS LIST - SHEET 3 of 3

ITEM	QTY.	PART NO.	REFERENCE	DESCRIPTION
38	2	400-2208-01	R19,R23	RES,CF,1/4W,5%,2.2 OHM
39				
40	1	400-2701-01	R17	RES,CF,1/4W,5%,2.7K OHM
41	1	400-3900-01	R9	RES,CF,1/4W,5%,390 OHM
42	1	400-4701-01	R14	RES,CF,1/4W,5%,4.7K OHM
43	2	400-4707-01	R21,R25	RES,CF,1/4W,5%,47 OHM
44	1	480-0007-01	R12	RES,VAR,STR,TRIM,1K OHM
45	1	480-0008-01	R4	RES,VAR,STR,TRIM,100 OHM
46	3	410-2200-01	R20,22,24	RES,CF,1/2W,5%,220 OHM
47	1	440-0508-01	R18	RES,WW,5W,10%,.05 OHM
48	1			
49				
50	1	550-0067-01	J3	CONN,PC,4P,M,09-74-1041
51	1	550-0068-01	J4	CONN,PC,5P,M,22-23-2051
52				
53	1	550-0102-01	J2	CONN,PC,11P,M,09-74-1111
54	1	550-0103-01	J19	CONN,PC,11P,M,10-19-1111
55	1	550-0110-01	J1	CONN,PC,9P,PLG,19-09-2099
56	9	550-0111-01	J1	CONN,PIN,M,PC,02-09-8113
57				
58	10	580-0070-01	F1-F5	FUSE,CLIP,PC,1/4"
59				
60	A/R	790-0007-01		THERMAL JOINT COMPOUND
61				
62	13	800-0240-01		BUSHING,INSULATED,NYLON
63	10	800-0241-01	U2-U6	WSHR,RECTANGULAR,METAL,#6
64				
65	4	801-0440-04-01	D1-D4	SCREW,PH,PH,4-40 X 1/4"
66				
67	6	801-0632-08-01	Q1,Q2	SCREW,PH,PH,6-32 X 1/2"
68	5	801-0632-10-01	U2-U6	SCREW,PH,PH,6-32 X 5/8"
69				
70	4	812-0440-00-01	D1-D4	NUT,HEX,4-40
71				
72	11	813-0632-00-01		NUT,HEX,KEP,6-32
73				
74	4	830-0019-01	F2-F5	FUSE,3AG,3A,250V,FAST ACTING
75	1	830-0020-01	F1	FUSE,3AB,10A,250V,SLO-BLO
76				
77	2	850-0009-01	U2,U3	INSULATOR,MICA,TO-220
78	2	850-0010-01	Q1,Q2	INSULATOR,MICA,TO-3
79	4	850-0011-01	D1-D4	HEATSINK,PC MOUNT,VERT, TO-220
80	1	400-1201-01	R6*(REV B1)	RES,CF,1/4W,5%,1.2K OHM



A	1984	PRODUCTION RELEASE		
B	1998	RELEASED REDESIGNED PCB		
B1	2061	changed: R6	4/1/01	75

- NOTES: UNLESS OTHERWISE SPECIFIED
1. ALL RESISTORS ARE IN OHMS, 1/4W, 5%.
 2. ALL CAPACITORS ARE IN MICROFARADS.
 3. LAST REFERENCE DESIGNATORS USED: R25, C27, D25, U6, Q2, F5, J19, SCRI.
 4. HEAT SINK ATTACHED TO AUDIO GROUND.
 5. = AUDIO GND
 = GND

RELEASED BY: WES 2/13/86 MOS1-00C52-BO18

ITEM	DESCRIPTION/MATERIAL	QTY
	UNLESS OTHERWISE SPECIFIED DIMENSIONS ARE IN INCHES TOLERANCES ON ANGLES = ± 1°	
	DO NOT SCALE DRAWING	
DRAWN BY	DATE	
L. PERCIVAL	2/22/84	
CHECKED	DATE	
L. FORTA	2/29/84	
ENGINEER		
PROJECT ENGINEER		

TITLE: SCHEMATIC, LINEAR POWER SUPPLY
 SIZE: D DRAWING NO: 008-8009-10-08
 SCALE: NONE SHEET 1 OF 2

RESCUE RAIDER U.R.

OPTION SWITCH SETTINGS

SWITCH NO. 1 (SW1) - AT E1 - LOCATED ON SMUDGE CPU BOARD

//////////////////////////////////// VARIOUS GAME PLAY OPTIONS //////////////////////////////////////

<u>DURING GAME PLAY:</u>	<u>SW#1</u>	<u>SW#2</u>	<u>SW#3</u>	<u>SW#4</u>	<u>SW#5</u>	<u>SW#6</u>	<u>SW#7</u>	<u>SW#8</u>
					NOT USED	NOT USED		
* 4 LIVES ON EACH COIN 5 LIVES ON EACH COIN 6 LIVES ON EACH COIN 3 LIVES ON EACH COIN	ON OFF ON OFF	ON ON OFF OFF						
* MINIMUM GAME TIME: 90 SECONDS MINIMUM GAME TIME: 60 SECONDS MINIMUM GAME TIME: 45 SECONDS MINIMUM GAME TIME: 120 SECONDS			ON OFF ON OFF	ON ON OFF OFF				
* KEEP HIGH SCORES ON POWER UP RESET HIGH SCORES ON POWER UP							ON OFF	
* MUSIC IN ATTRACT NO MUSIC IN ATTRACT								ON OFF
* INDICATED FACTORY RECOMMENDED SETTINGS	PART NO. M051-00J18-A007							

RESCUE RAIDER U.R.

OPTION SWITCH SETTINGS

SWITCH NO. 2 (SW2) - AT E2 - LOCATED ON SMUDGE CPU BOARD

//////////////////////////////////// COINS PER CREDIT //////////////////////////////////////

<u>VARIOUS CREDIT OPTIONS</u>	<u>SW#1</u>	<u>SW#2</u>	<u>SW#3</u>	<u>SW#4</u>	<u>SW#5</u>	<u>SW#6</u>	<u>SW#7</u>	<u>SW#8</u>
FREE PLAY	OFF	OFF	OFF	OFF	OFF	OFF	OFF	OFF
* 1 COIN / 1 CREDIT	ON	ON						
1 COIN / 2 CREDITS	OFF	ON						
2 COINS / 1 CREDIT	ON	OFF						
3 COINS / 1 CREDIT	OFF	OFF						

//////////////////////////////////// COINS ADD BONUS COINS //////////////////////////////////////

* NO BONUS COINS			ON	ON	ON			
2 COINS ADDS 1 BONUS COIN			OFF	ON	ON			
3 COINS ADDS 1 BONUS COIN			ON	OFF	ON			
4 COINS ADDS 1 BONUS COIN			OFF	OFF	ON			
4 COINS ADDS 2 BONUS COINS			ON	ON	OFF			
5 COINS ADDS 1 BONUS COIN			OFF	ON	OFF			
5 COINS ADDS 2 BONUS COINS			ON	OFF	OFF			
5 COINS ADDS 3 BONUS COINS			OFF	OFF	OFF			

//////////////////////////////////// COIN MECH MULTIPLIER //////////////////////////////////////

* LEFT COIN MECH X 1								ON
LEFT COIN MECH X 2								OFF
* RIGHT COIN MECH X 1								ON
RIGHT COIN MECH X 4								OFF
RIGHT COIN MECH X 5								ON
RIGHT COIN MECH X 6								OFF

* INDICATED FACTORY RECOMMENDED SETTINGS	PART NO. M051-00J18-A007							
--	--------------------------	--	--	--	--	--	--	--