

**SEGA®**

# CHOPLIFTER

## INSTRUCTION MANUAL

FOR HORIZONTALLY  
MOUNTED MONITOR

**SEGA** ENTERPRISES, INC.

2149 PARAGON DR. SAN JOSE, CA 95131

(408) 435-0201

## CONTENTS

- RECOMMENDED WIRING DIAGRAM
- WIRING ROUTING (MAIN HARNESS)
- WIRING ROUTING (CONTROL PANEL HARNESS)
- OPTION SWITCHES / DC POWER REQUIREMENTS
- KIT CONTENTS

## CONVERSION KIT CONTENTS

- PC Board
- Generic Main Wiring Harness
- Control Panel Wiring Harness
- 8 Way Joystick Assembly
- Screws and Nuts for Joystick (4)
- Push Button Assemblies (6)
- Control Panel Overlay
- Monitor Card
- Side Decals (2)
- Plastic Marquee
- Instruction Manual
- License Seal

# PREVENTION OF COUNTERFEITING AND CONVERSION

## LABELING

To prevent counterfeits and conversions, the following labels are put on all the SEGA products. When handling such goods, be sure to confirm the labels. They are used to prevent illegal acts such as the unauthorized copying of the products and the printed circuit boards thereof or carrying on business by manufacturing similar merchandise or by converting, selling or using such products or printed circuit boards.

### ORIGINAL SEAL

The following seal is put on the machines manufactured by SEGA.



### LICENSE SEAL

The following seal is put on the kits, such as the printed circuit boards, of SEGA products.



## COPYRIGHT NOTICE

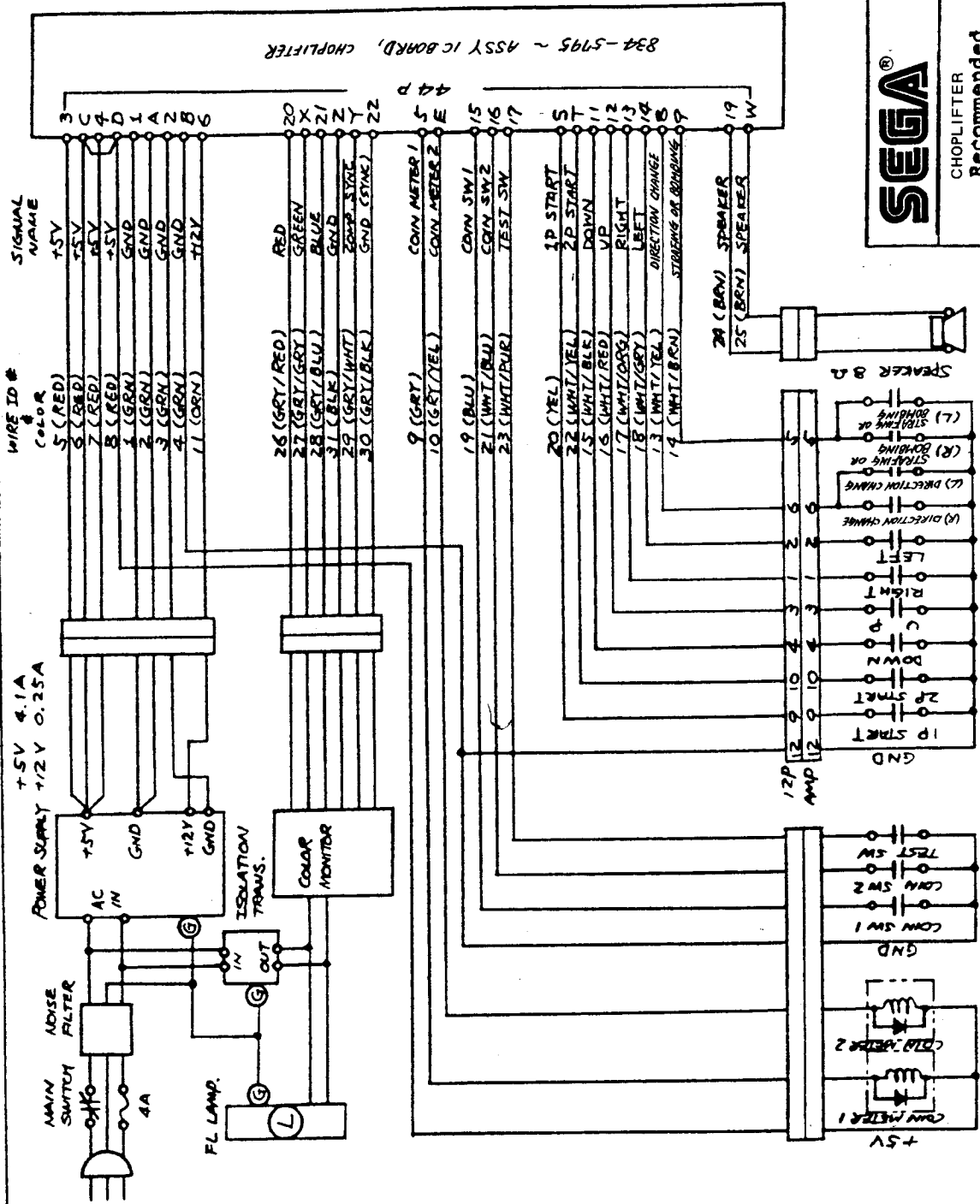
This SEGA product has the copyright notice as follows:

© SEGA 1985

This signifies that this work was disclosed in 1985 and is the property of SEGA ENTERPRISES, LTD.

### NOTICE WARNING

After installation of this kit , the 5 volt power supply must be checked and adjusted to make certain exactly 5 volts are present at pins 1 & 3 ( 1 is negative and 3 is positive ) of the 44 pin edge connector. The voltage check and adjustment must be done while the PCB is plugged in to the 44 pin connector to supply the proper load. This PCB will not operate properly on voltages below 5 volts as measured at the board.



**SEGA**<sup>®</sup>  
 CHOPFLIFTER  
 Recommended  
 Wiring Diagram

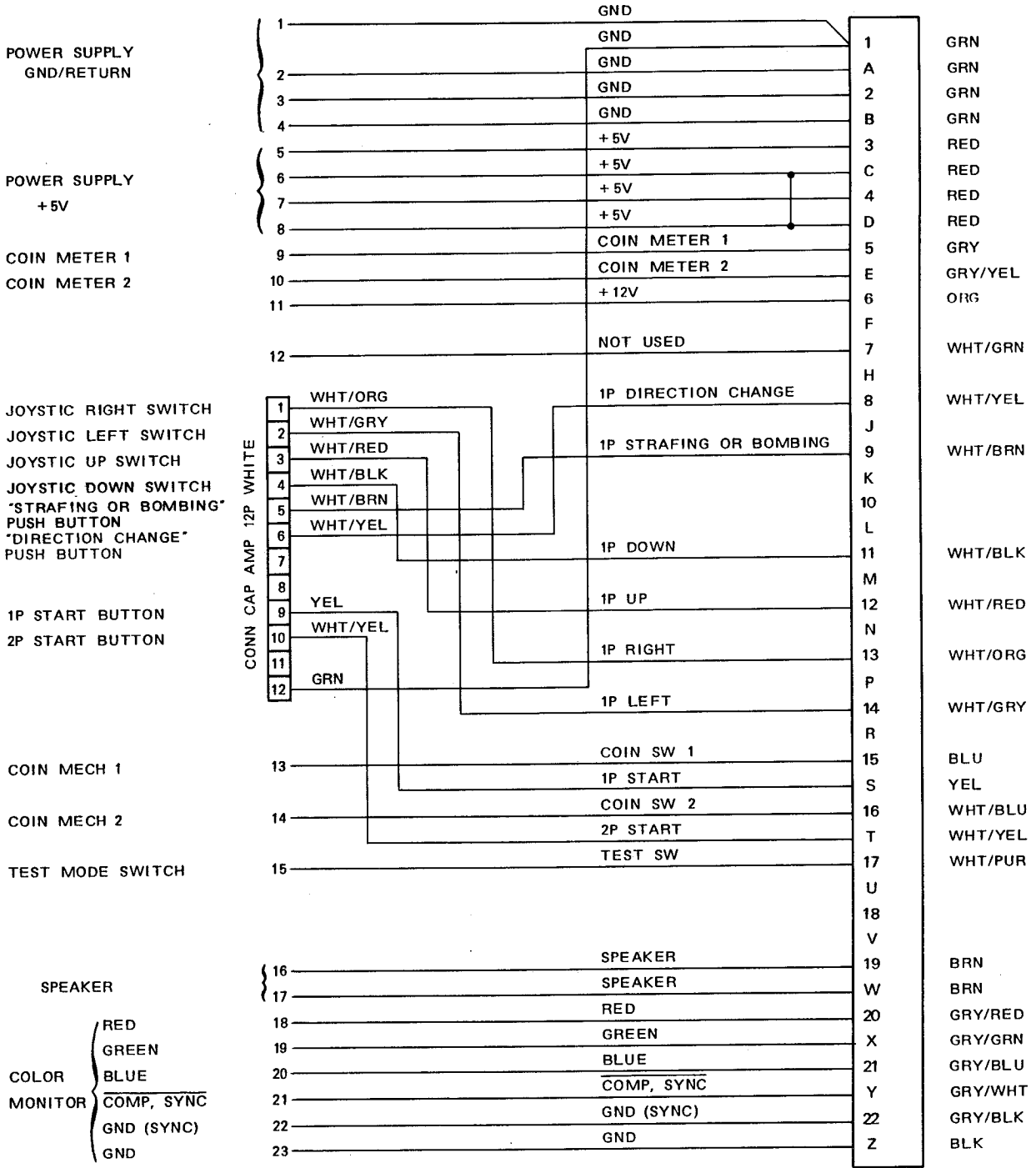
SEA 12 85

**DISTINATION**

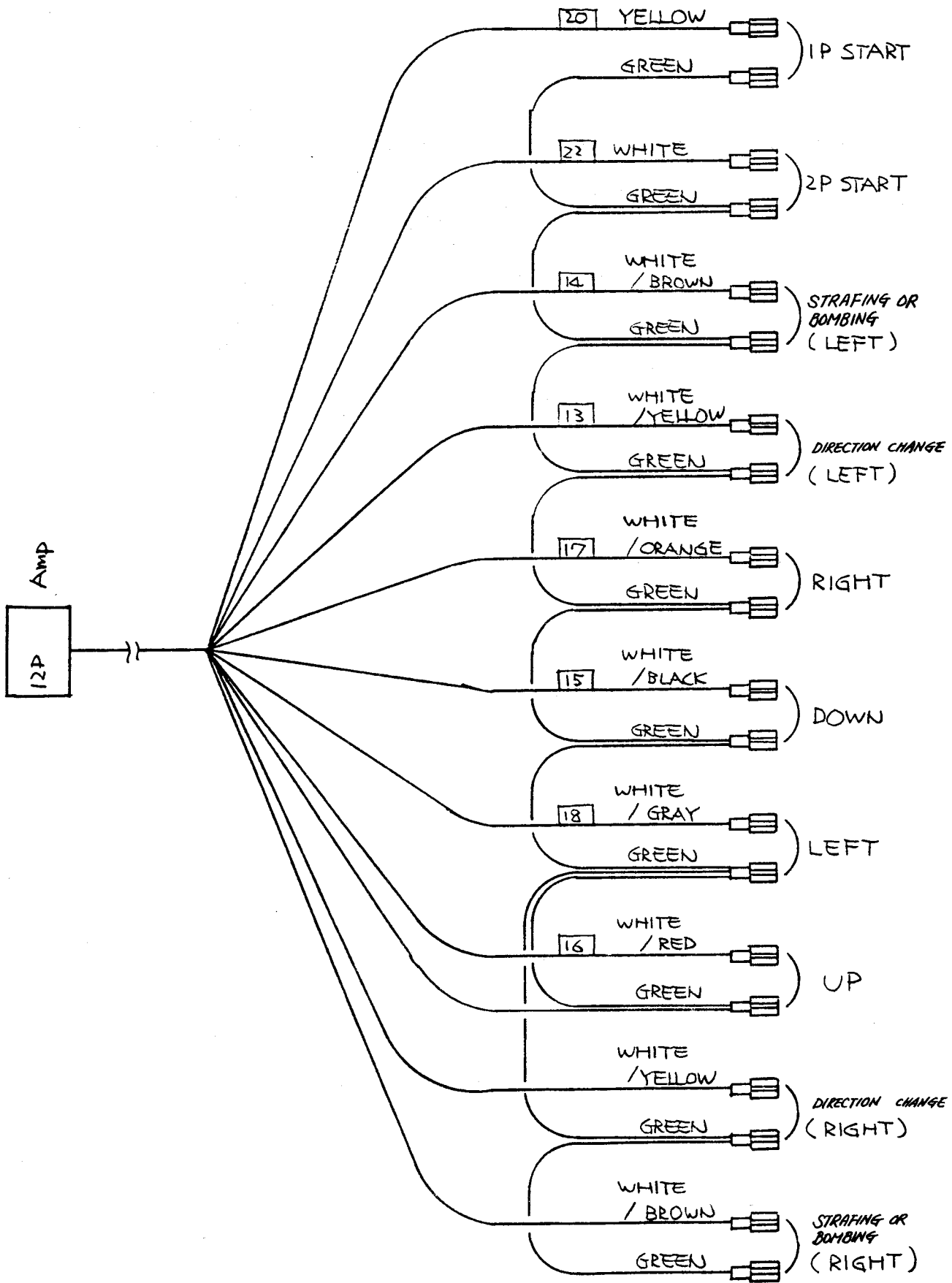
WIRE ID #      SIGNAL NAME

44 PIN  
EDGE CONNECTOR

WIRE COLOR



**CHOPLIFTER WIRE ROUTING**

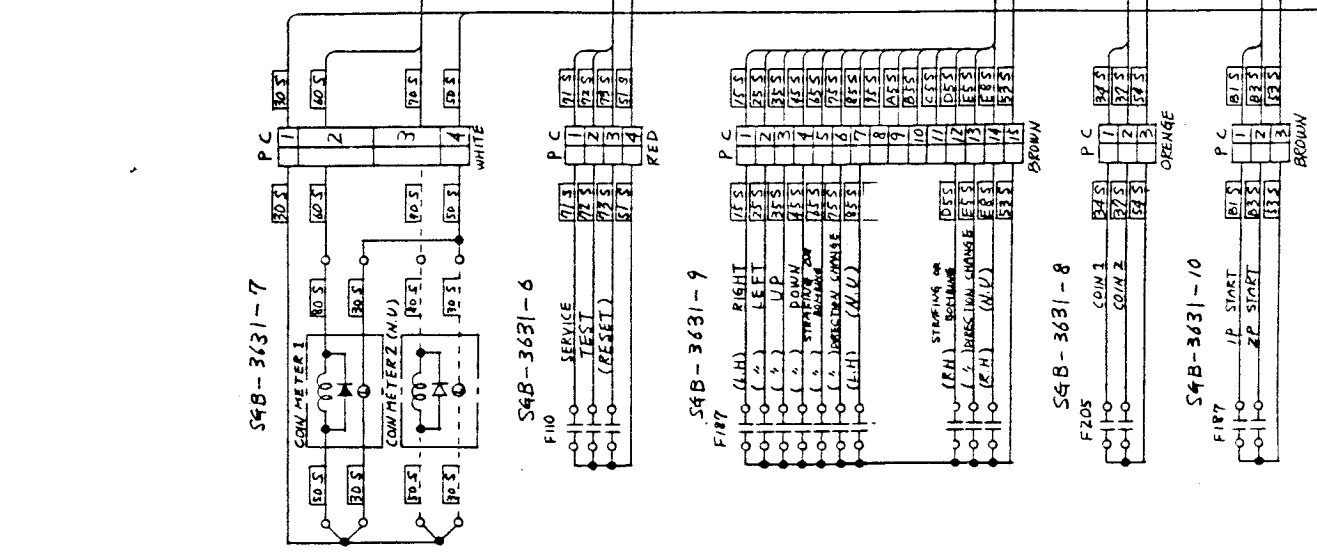
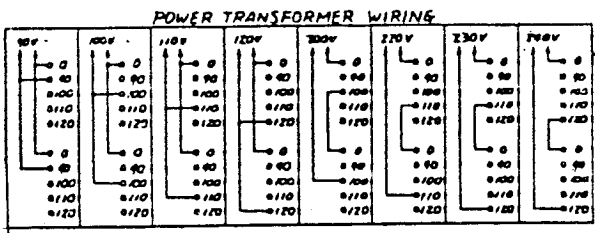
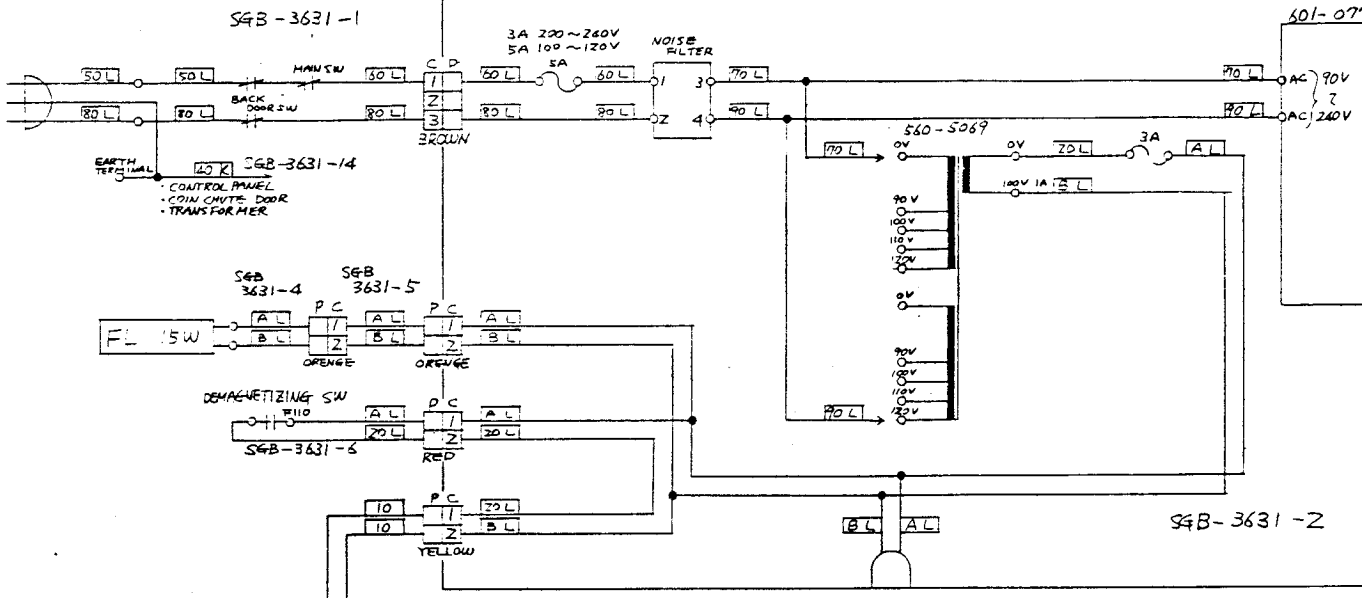


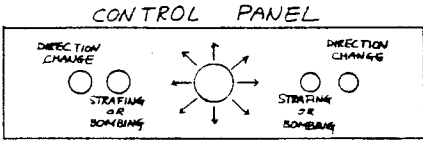
CONTROL PANEL HARNESS



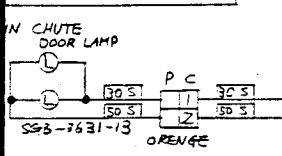
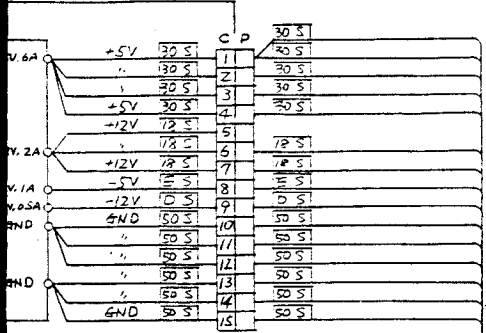


# UC-4000

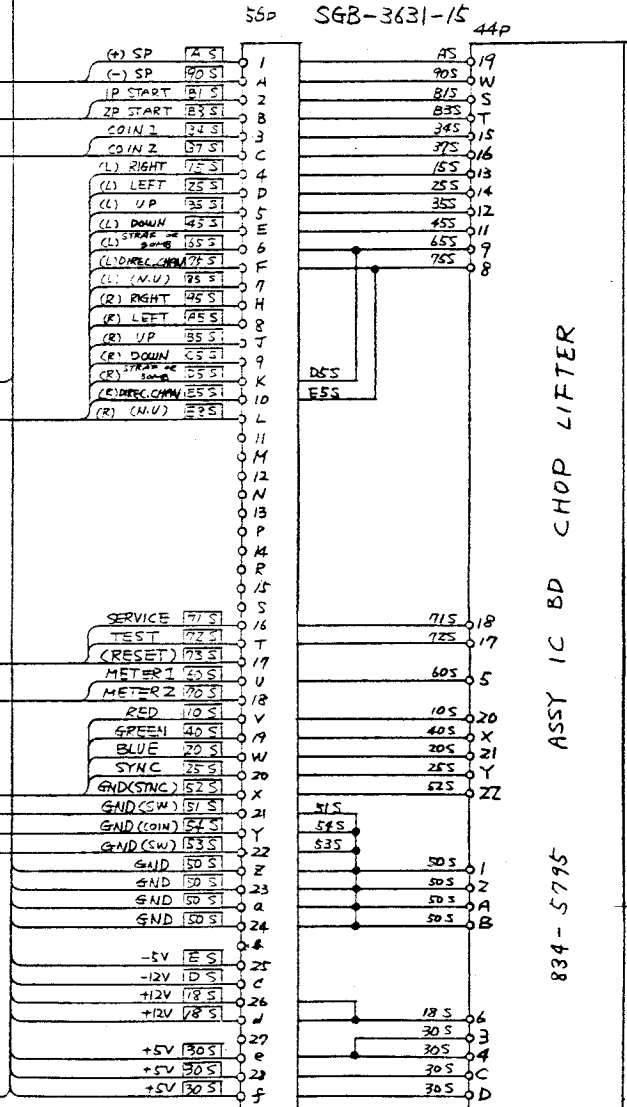




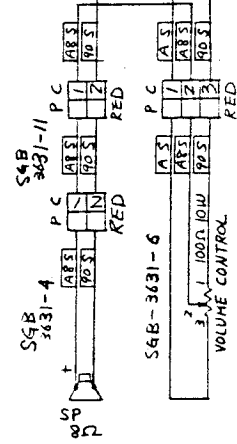
COMPONENT SIDE	44 PIN P-1.26mm	SOLDER SIDE
GND	1	GND
BLUE	2	CMP SYNC
RED	3	GREEN
SPEAKER	4	SPEAKER
SERVICE SW	5	NOT USED
TEST SW	6	NOT USED
COIN SW 2	7	1P START
COIN SW 1	8	1P STAM
1P LEFT	9	NOT USED
1P RIGHT	10	NOT USED
1P UP	11	NOT USED
1P DOWN	12	COIN METER 1
NOT USED	13	+5V
NOT USED	14	GND
NOT USED	15	NOT USED
DIRECTION CHANGE	16	NOT USED
NOT USED	17	NOT USED
+12V	18	NOT USED
COIN METER 1	19	NOT USED
+5V	20	NOT USED
GND	21	NOT USED
	22	NOT USED
	23	NOT USED
	24	NOT USED
	25	NOT USED
	26	NOT USED
	27	NOT USED
	28	NOT USED
	29	NOT USED
	30	NOT USED
	31	NOT USED
	32	NOT USED
	33	NOT USED
	34	NOT USED
	35	NOT USED
	36	NOT USED
	37	NOT USED
	38	NOT USED
	39	NOT USED
	40	NOT USED
	41	NOT USED
	42	NOT USED
	43	NOT USED
	44	NOT USED



SSB-3631-3



834-5795



VOLTAGE	110V	200V	220V	230V	240V	120V
	STAND-BY	W	W	W	W	W
MAXIMUM	W	W	W	W	W	125 W

ALTERATION		POWERS	POWER CONSUMPTION
52	WHITE BLUE		
51	WHITE RED		
50	WHITE		
EXAMPLES			
K	RAIN WIRE (SIGNAL)		CIRCLE IN THE SWITCH SYMBOLS INDICATOR OPERATION BY A MOTOR
L	LASSER WIRE		
J	JAMPER WIRE		MAKE AND BREAK SWITCH
F	LIGHT GREEN		
D	PURPLE		NORMALLY CLOSED SWITCH OPER WHEN ENERGIZED
C	BROWN		
B	SKY BLUE		
A	PINK		NORMALLY OPEN SWITCH CLOSED WHEN ENERGIZED
9	GRAY		
8	BLACK		
7	ORANGE		
6	MAROON		SWITCH SYMBOLS
5	WHITE		APR. 1978-8C
4	GREEN		ASSY. COIL 100-85
3	YELLOW		CRD. COIL 100-85
2	BLUE		DRW. COIL 100-85
1	RED		

COIL LOCATIONS	RELAY LOCATIONS	ABBREVIATIONS USED	WIRE COLOR CODE
SEGA CHOP LIFTER EXPORT			(AC 100~240V) 50/60 Hz
DESCRIPTION			884-3
			SCHEMATIC DIAGRAM NO.